
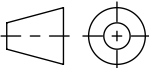




POS	PARTNUMBER	QTY.	DESCRIPTION												
1	SP2-1000U-0400	1	Pole SP2, 400mm												
Description Pole SP2, 400mm			<table border="1" style="width: 100%; border-collapse: collapse;"> <tr> <td style="width: 25%;">Category</td> <td style="width: 25%;">Weight 0.64 kg</td> <td style="width: 50%;">Revision A</td> </tr> <tr> <td>Size: A4</td> <td>Name</td> <td>Date</td> </tr> <tr> <td>Drawn</td> <td>pl</td> <td>22-09-2014</td> </tr> <tr> <td>Last Update</td> <td>Dennis.Poulsen</td> <td>25-06-2021</td> </tr> </table>	Category	Weight 0.64 kg	Revision A	Size: A4	Name	Date	Drawn	pl	22-09-2014	Last Update	Dennis.Poulsen	25-06-2021
Category	Weight 0.64 kg	Revision A													
Size: A4	Name	Date													
Drawn	pl	22-09-2014													
Last Update	Dennis.Poulsen	25-06-2021													
		COPYRIGHT © ERGONOMIC SOLUTIONS 2021 www.ergonomic.solutions													
<small>Unless otherwise specified tolerances according to ISO 2768-m All dimensions are in millimeters</small>		 <small>1st Angle Projection</small>													
			Drawing No SP2-1000-0400												