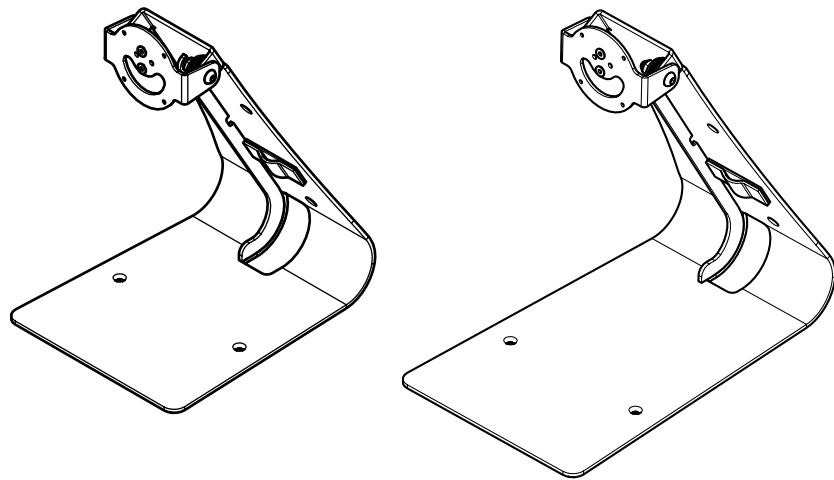
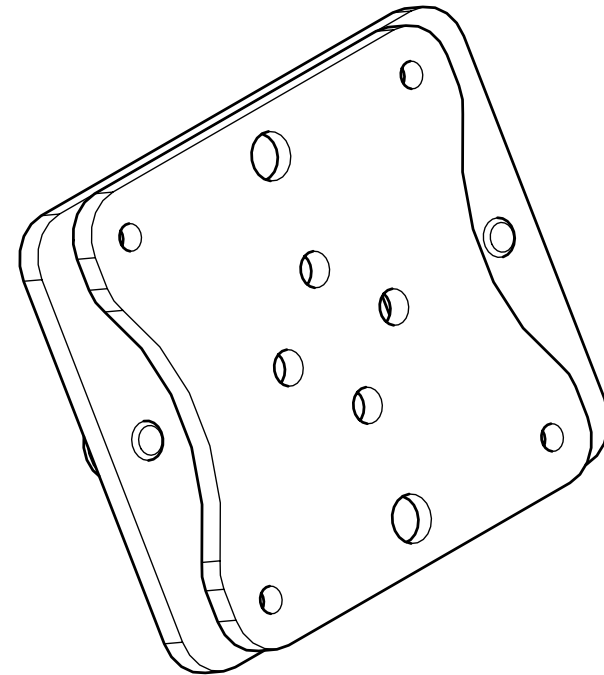


TabPrint Curve



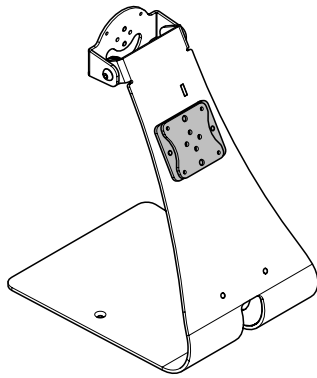
 To be purchased separately (SPTPC301, SPTPC302)!

SpacePole TabPrint Curve Flat mount (SPTPC401)



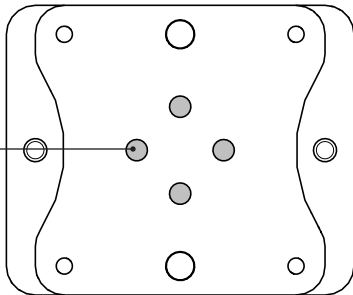
1 Mounting Overview

Mounting position



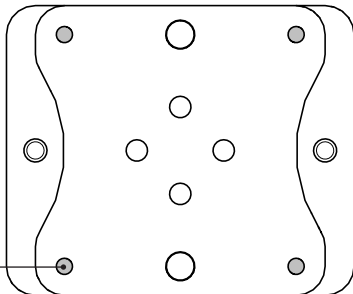
a - MultiGrip™ pattern

Mounting pattern used for
i.e. MultiGrip plates, mCase
& X-Frame



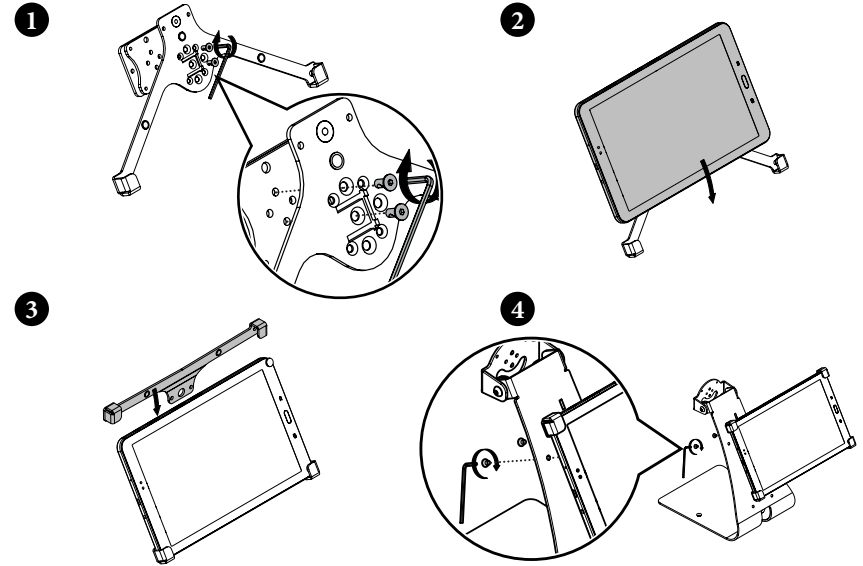
b - 40 x 40 pattern

Mounting pattern used for
i.e. U-Frame



2 Installation examples

a - MultiGrip™ pattern



b - 40 x 40 pattern

