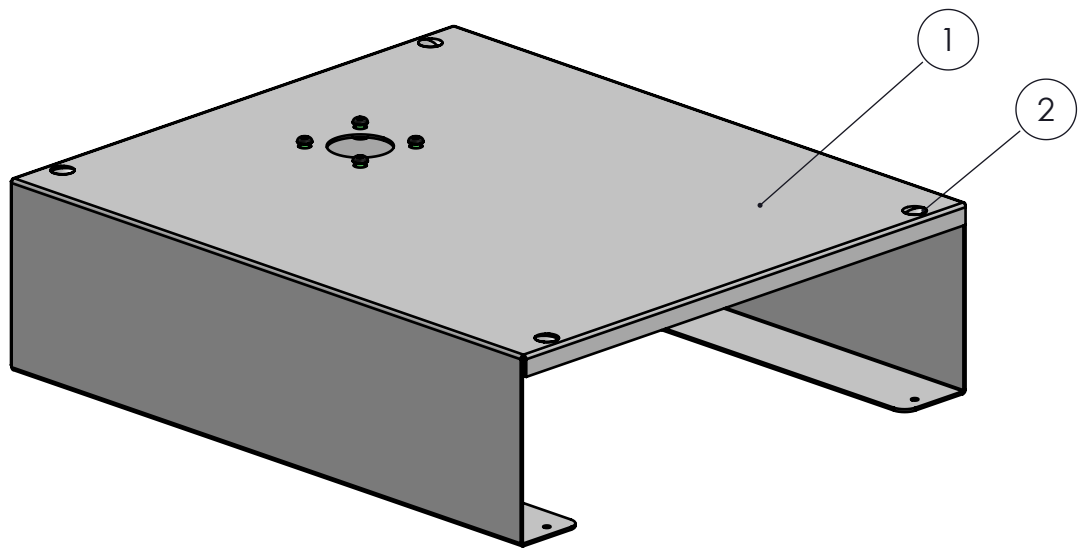



Rev	Change	Date	Int.
-----	--------	------	------



POS	PARTNUMBER	QTY.	DESCRIPTION
1	C4900285U	1	Cashdrawer Quad
2	BN_1064_3422550_cover_cap_S8h	4	
3	M9936-0608-02	4	M6x8mm button headed screw, black
4	M9992-0004	1	4mm Allen key

Description Cashdrawer Quad		Category	Weight 0.00 kg	Revision A
 ergonomic solutions	COPYRIGHT © ERGONOMIC SOLUTIONS 2017 www.ergonomic-solutions.net		Size: A4	Name
	<small>Unless otherwise specified tolerances according to ISO 2768-m All dimensions are in millimeters</small>		Drawn	Ivh
			Last Update	Ivh
		Drawing No	C4900285	