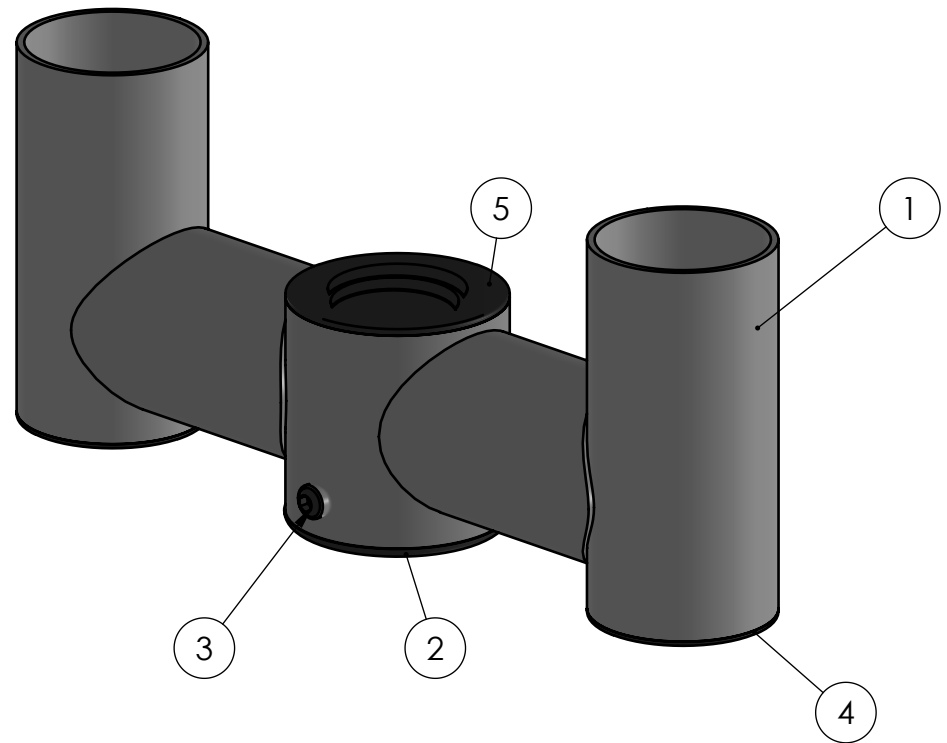
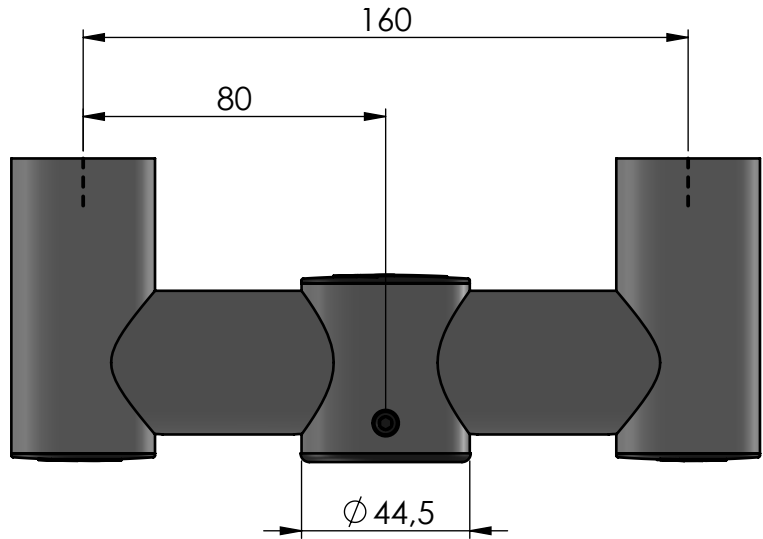

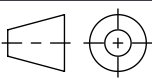


Rev.	Change	Date	Init.
A	Prototype approved and P/N issued	30-01-2020	CW



POS	PARTNUMBER	QTY.	DESCRIPTION
1	C200199U	1	Double Swingarm SP1, 2 x 80mm with 2x 78mm Endpole
2	SP1-P22112-02	1	Plastic Anti-Wobble sleeve, SP1 long and black
3	M9915-0606-02	1	Grub screw M6x6mm with hex hole, black
4	SP1-P22104-02	2	SP1 End Cap with SpacePole Logo
5	SP2-P22104-02	1	SP2 End Cap with SpacePole Logo

Description Double Swingarm SP1, 2 x 80mm with 2x 78mm Endpole		Category Swingarms	Weight 0.47 kg	Revision A	
	COPYRIGHT © ERGONOMIC SOLUTIONS 2021 www.ergonomic.solutions		Size: A4	Name	
			Drawn	egn	Date
			Last Update	Lasse.Christensen	31/03/2021
Unless otherwise specified tolerances according to ISO 2768-m All dimensions are in millimeters		 1st Angle Projection	Drawing No C200199		