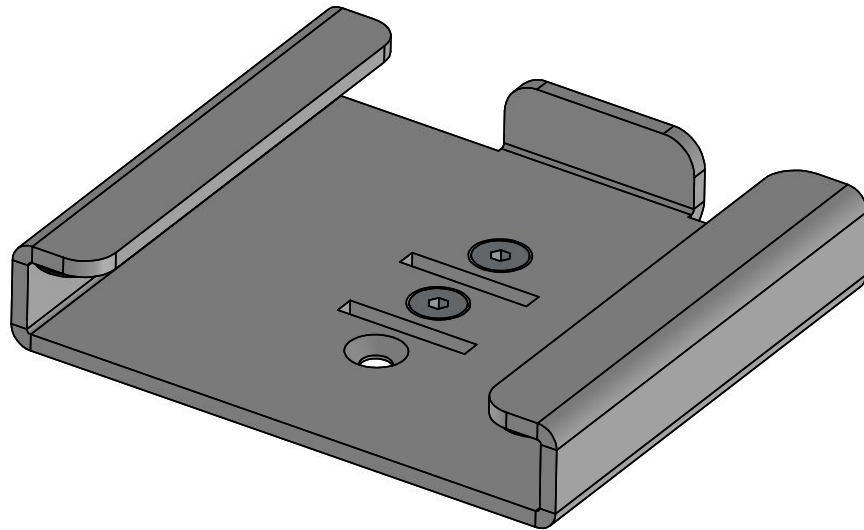
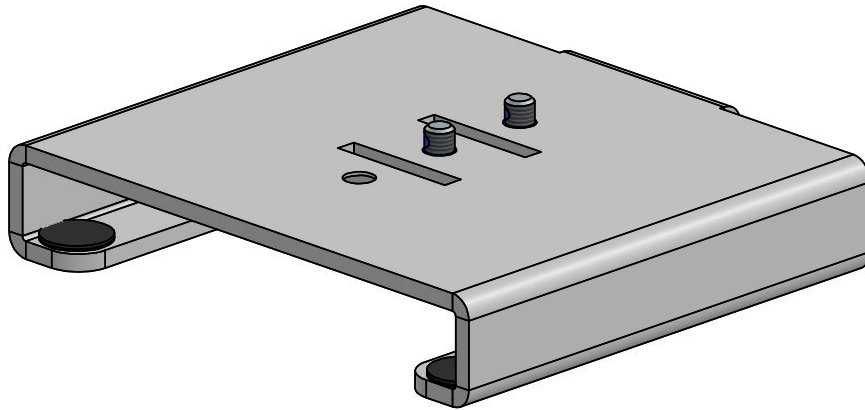



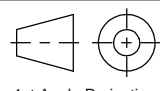
Rev.	Change	Date	Init.
A	Prototype approved and P/N issued	28/04/2023	CW



POS	PARTNUMBER	QTY.	DESCRIPTION
1	C4900583U	1	Multigrip plate for Honeywell 7680G SR
2	P22-00078-02	4	Felt Bumpon Ø10mm x 0.5mm thick, Black
3	MK10-0005	1	MultiGrip™ fixing for NonTilting Solution

Description Multigrip plate for Honeywell 7680G SR	Weight 0.21 kg	Revision A
--------------------------------------------------------------	--------------------------	----------------------

	COPYRIGHT © ERGONOMIC SOLUTIONS 2023 www.ergonomic.solutions	Size: A4	Name	Date
		Drawn	cw	25/03/2022
		Last Update	claire.wahl	28/04/2023

Unless otherwise specified tolerances according to ISO 2768-m All dimensions are in millimeters	 1st Angle Projection	Drawing No C4900583
----------------------------------------------------------------------------------------------------	-------------------------------------------------------------------------------------------------------------	------------------------------------------