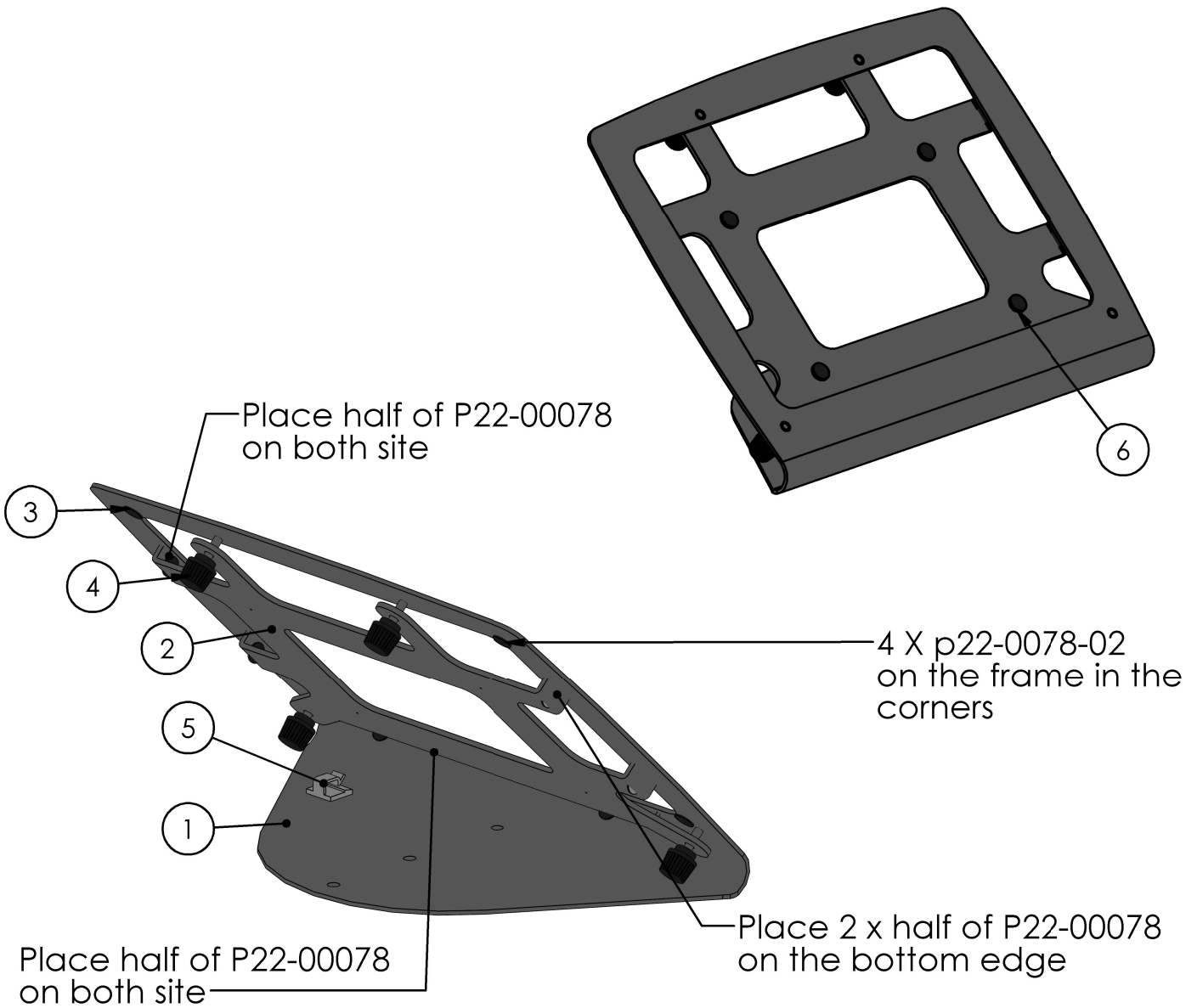

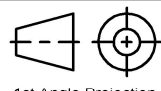


Rev.	Change	Date	Init.
A	Prototype approved by Christian Rössler and P/N issued	06-11-2019	CW



POS	PARTNUMBER	QTY.	DESCRIPTION
1	C600257A	1	C-frame for iPad 10.2 (2019) with access for all
2	C600257B	1	C-frame for iPad 10.2 (2019) with access for all
3	P22-00078-02	10	Felt Bumpon Ø10mm x 0.5mm thick, Black
4	P22174-02	4	Grip knob 15mm dia M4 female
5	M0000-1614	1	Plactic adhesive Cable clip
6	P22170-02	4	Felt Bumpon Ø10 x 1.5mm thick, Black
7	SJ5306	4	Fish eye Ø10 4mm

Description C-frame secure for iPad 10.2 (2019) with access for all Free standing		Category Tablets	Weight 1.44 kg	Revision A
	COPYRIGHT © ERGONOMIC SOLUTIONS 2019 www.ergonomic.solutions		Size: A4	Name
			Drawn cw	Date 12-09-2017
			Last Update claire.wahl	Date 06-11-2019
Unless otherwise specified tolerances according to ISO 2768-m All dimensions are in millimeters		 1st Angle Projection	Drawing No C600257	