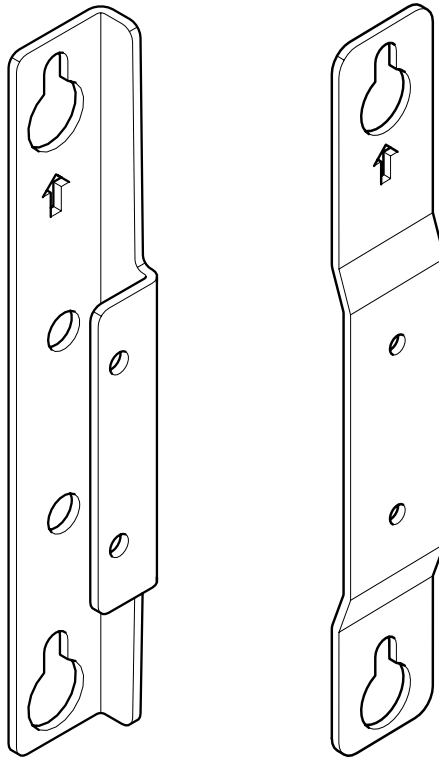


Installation Guide

SPDS2110 + SPDS2111

Rail Wall brackets





CAUTION

This product must be installed by a professional installer. It is recommended that more than one person is involved in the installation of this product.

This product is designed to be wall mounted. Before installing please verify that the wall can bear the combined weight of the solution and hardware. The recommended maximum distance between the brackets is 2 metres. Standard fixings for wooden material and fixings for concrete material are supplied as part of the product, but they will not be suitable for all types of walls.

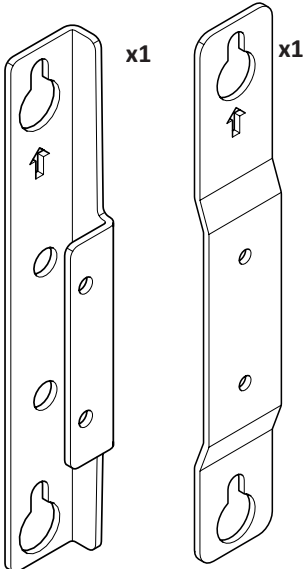
Do not exceed the stated weight limits. The maximum weight limit for this product is 150 kg pr. wall mount.

This product is intended for indoor use only. If these installation instructions are not followed precisely, it could lead to product failure and potential personal injury.

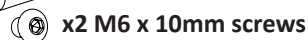
Ergonomic Solutions cannot be held responsible for any failure or injury, if the installation instructions are not followed correctly.

Box content

SPDS2110 or SPDS2111

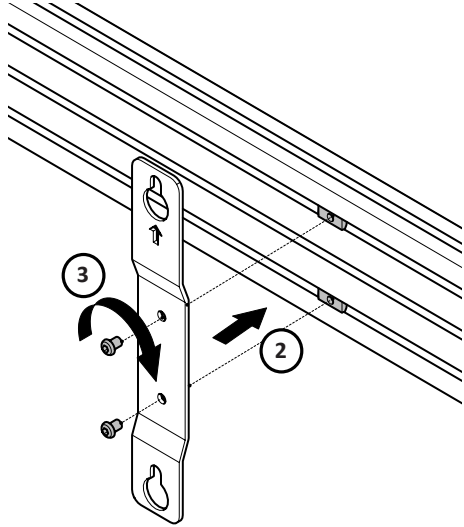
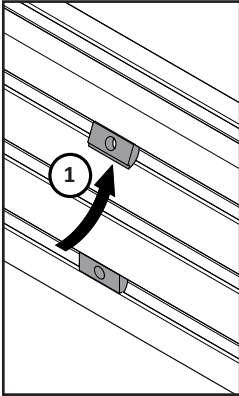


Fixings included in either config

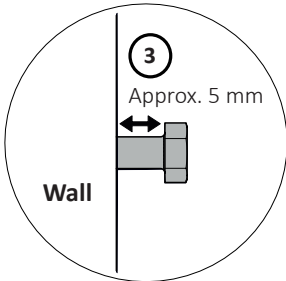


1 Mount wall bracket on rail

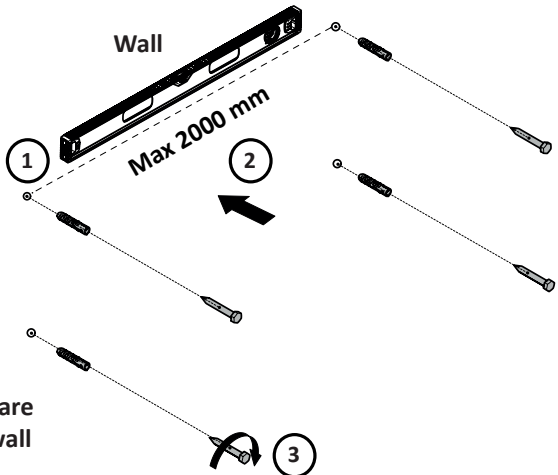
Insert the T-Nuts



2 Prepare for wall mounting



Make sure to align horizontally



1 Mark points on wall

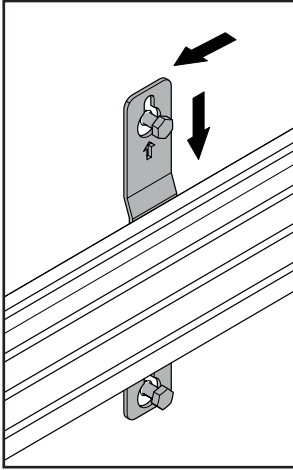
2 Insert wall plugs

3 Mount screws until they are approx. 5 mm from the wall

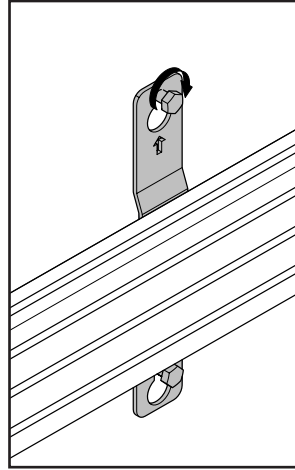


WARNING: Ensure that appropriate wall fixings are used

3 Mount rail



Use key holes to mount on wall



Tighten the screws

4 Rail mounted on wall

