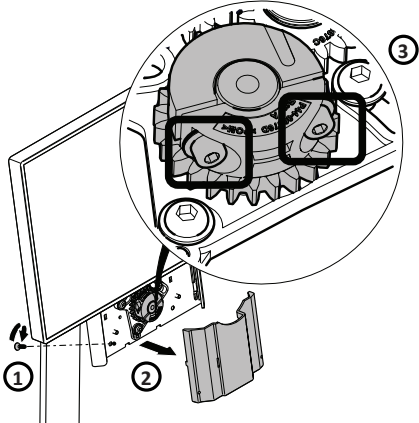
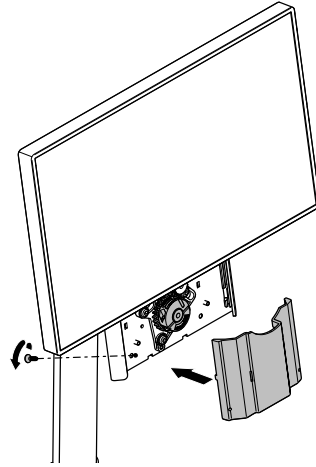


**5** For Screens > 5kg increase tension

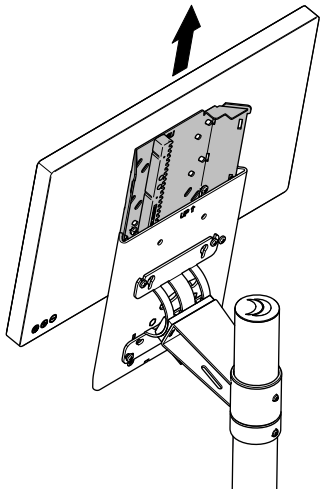


Remove cover and increase tension by tightening the two screws

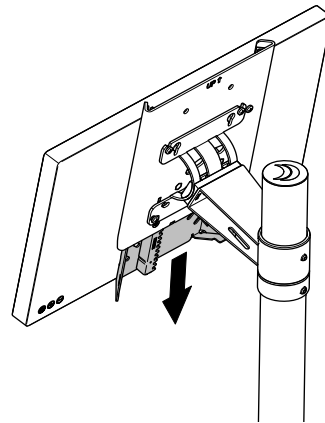
**5A** Attach gear cover



**Adjust upwards**



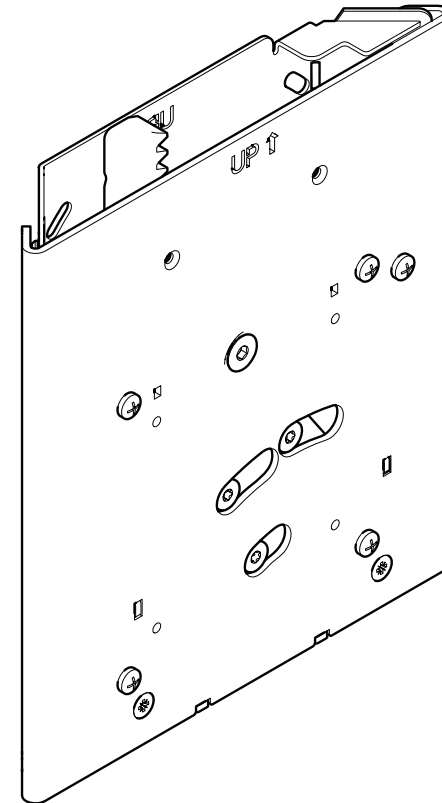
**Adjust downwards**



# Installation Guide

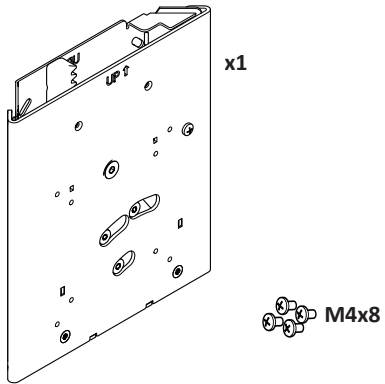
**SPV3309**

**SpacePole POSlift™**

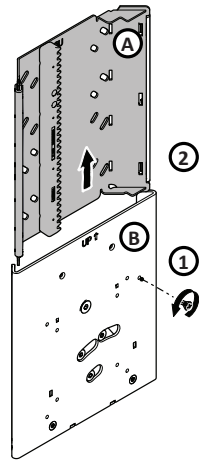


 **SpacePole®**  
mounting & mobility

### Box content

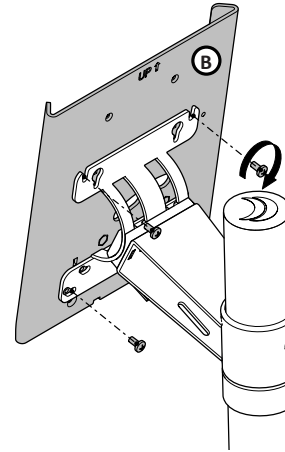


### 1 Disassemble the two parts

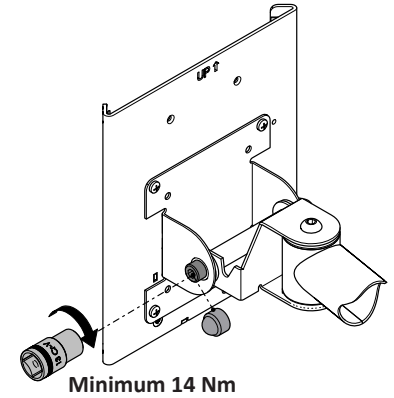


1 Remove security screw

### 3 Mount to VESA

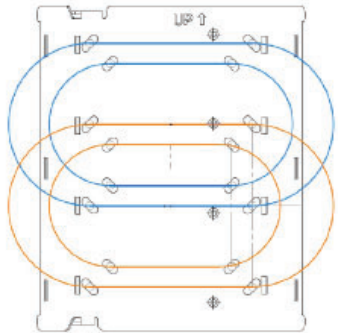


### 3A Retrofit to existing connection joints



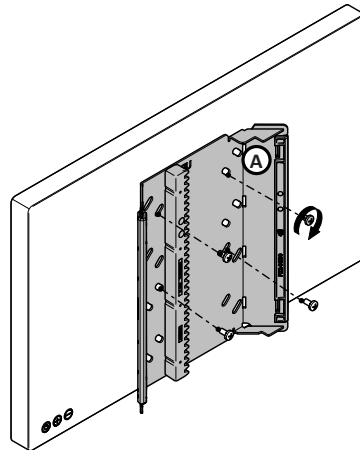
For retrofit to existing connection joints, the joint must be tightened before installing the screen - minimum 14 Nm

### 2 Options for screen position

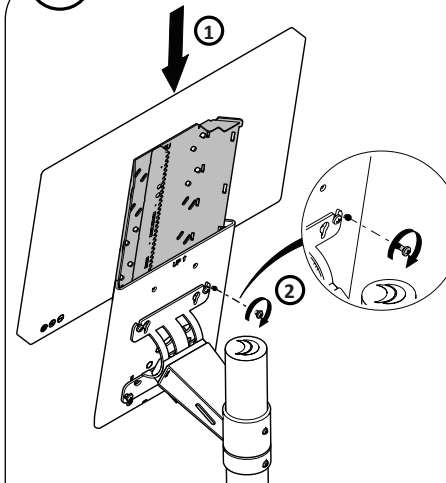


Note there are two options:  
Blue = upper VESA option - Operating range between 11 cm up and 7 cm down  
Orange = lower VESA option - Operating range between 16 cm up and 2 cm down

### 2A Mount VESA adapter on screen



### 4 Assemble the two parts



2 Fit and tighten the security screw