

# SpacePole Digital Signage

It's time to see the bigger picture

## Hook & Rail Solutions

The SPDS2000-series Hook & Rail System has been optimised for the Retail, QSR, Hospitality and Entertainment markets and can be configured to meet your requirements for digital menu boards and other ceiling and wall mounted applications.



## Compatibility

Displays with VESA 100, 200, 300 or 400.

## Features

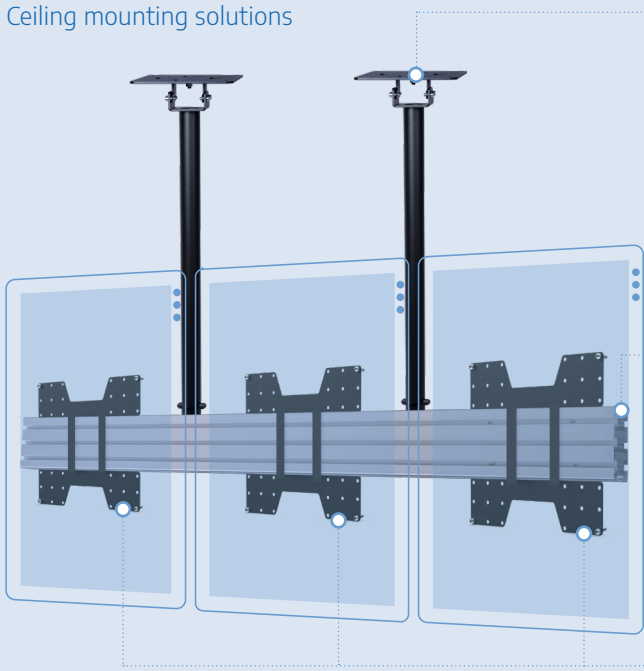
- **Comprehensive:** supports a choice of screen sizes from 22" to 55", in portrait and landscape, with tilt and screen height adjustment for better visibility, depending on ceiling height
- **Configurable:** use single or multiple screens, wall or ceiling mounted, single-sided or back-to-back
- **Modular:** mix and match from a range of components for your unique installation
- **Designed and manufactured in Denmark:** with added focus on simplicity, quality and sustainability, as well as shorter lead times
- **Easy installation and maintenance:** modular solution design, featuring hook-on screen brackets and a quick release option

## Benefits

- **Create solutions that are perfectly suited to the tasks in hand:** create it your way!
- **Freedom to install:** how and where required
- **Create limitless configurations:** allowing easy and cost effective upgrades of technology or applications
- **Sustainability:** the product range is designed and manufactured in line with our core value to respect the planet
- **Cost effective installation:** saves time and money

# Hook & Rail Solutions

## Ceiling mounting solutions



### Ceiling Pole

- Height adjustment: 1000 to 1500mm (20 fixed positions)
- Rotation of pole: 60 degrees
- Tilting of ceiling mount: 20 degrees
- Key holes for easy screen mounting

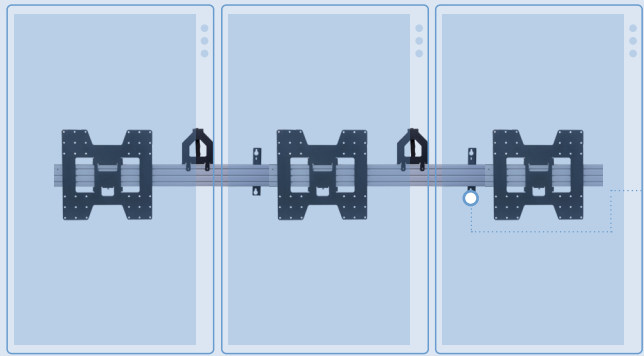
### Rails

- Standard tracks for mounting VESA brackets, ceiling poles, wall brackets and accessories directly to the rail
- Option to connect multiple pieces of rail to each other
- Lightweight

### Brackets

- Hook-on design for easy installation and maintenance
- Fixing to ensure screen stays fixed to the rail / ceiling pole
- SPDS2104 / SPDS2119: Tilting in fixed increments: 0, 5, 10, 15 degrees
- SPDS2104 / SPDS2119: Handscrew for easy set-up of tilting angle

## Wall mounting solutions



### Wall rail bracket

- Enables wall mounted installation
- Key holes for easy wall installation
- SPDS2110: Off-set bracket to allow for screen tilting
- Tilting options with SPDS2110:
  - Landscape: < 55": 0-15° tilt. 55": 0-10° tilt
  - Portrait: < 43": 0-15° tilt. 43": 0-10° tilt. 50" to 55": 0-5° tilt



### Non-tilt

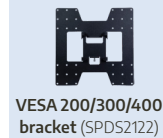


**VESA 200 bracket (SPDS2121)**

### Tilt



**VESA 200 bracket (SPDS2104)**



**VESA 200/300/400 bracket (SPDS2122)**



**VESA 200/300/400 bracket (SPDS2119)**

### Tilt



**Rail wall bracket (SPDS2110)**

### Non-tilt



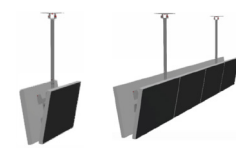
**Rail wall bracket (SPDS2111)**

## Example setups – for portrait and landscape screen(s)

### Single-sided ceiling solutions



### Back-to-back ceiling solutions



### Wall mounting multi-screen solutions

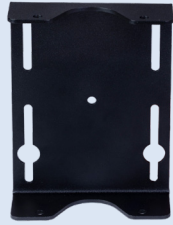


# Hook & Rail Accessories

## Our main accessories

### Back-to-back bracket

- Enables back-to-back ceiling installation
- 4x screw mounting to the SpacePole Telescopic ceiling pole
- Key holes for easy mounting of screen



**Back-to-back bracket**  
(SPDS2109)

### Universal mount for media player

- Universal mount for securely mounting media players
- Fits multiple sizes of media player
- Easy installation directly on rail



**Universal mount for media player**(SPDS2115)

### Quick release plunger

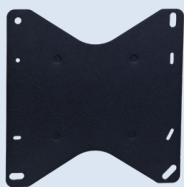
- Enables quick release of a single screen
- Replaces the security screw at the bottom of the VESA bracket
- Pulling the quick release ensures the screen can be removed without any use of tools for easy maintenance



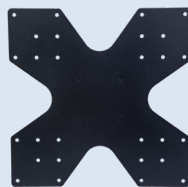
**Quick release plunger**  
(SPDS2120)

### Adapters

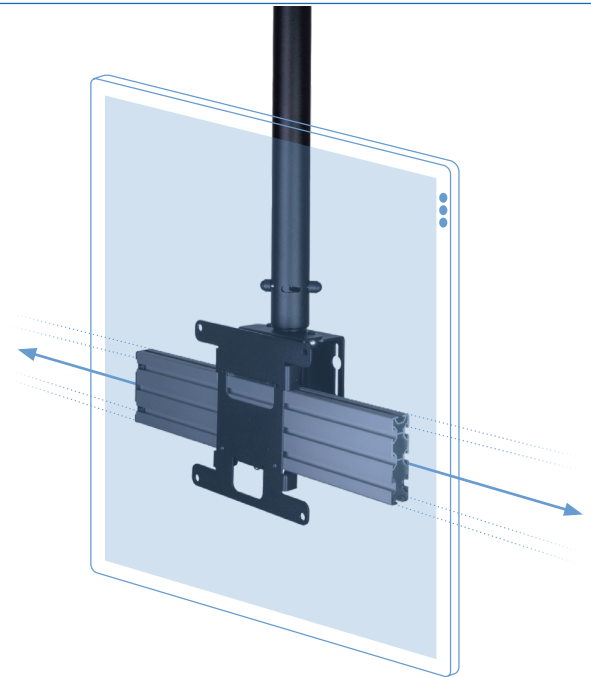
- Cost effective mounting option for single screen ceiling configurations (one-sided or back-to-back)



**VESA 100 to 200 adapter for ceiling pole** (SPDS2107)



**VESA 100 to 200/300/400 adapter for ceiling pole** (SPDS2117)



## More accessories

### Cable management clip

- Enables neat and secure cable management
- Easy clip-on solution



**Cable management clip**  
(SPDS2114)

### Rail endcaps (x2)

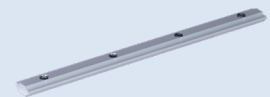
- Mounts on the ends of the rail (1 set per solution single sided or 2 sets per solution back-to-back)
- Ensures screen brackets cannot be pushed over the edge of the rail by accident



**Rail end cap**  
(SPDS2113)

### Rail connector kit

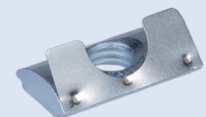
- Enables two pieces of rail to be connected



**Rail connector kit**  
(SPDS2112)

### Rail connector nut

- Enables rail to be fixed to ceiling pole
- Easy insertion into rail track



**Rail Connector Nuts**  
(SPDS2116)

# Technical specifications

Product and configurations	Mounting	Product dimensions and weight	Packaging dimensions and weight	Material	Installation guide
<b>Telescopic Ceiling pole [1,4,6,9]</b> (1000-15000mm) (SPDS2100)	<b>VESA 100:</b> Directly on the pole <b>VESA 200/300/400:</b> Utilising adapters or brackets for Hook & Rail. Portrait and landscape supported	<b>Fully compressed:</b> 1075mm <b>Fully extended:</b> 1575mm 6.28 kg / 13.84 lbs	<b>BO19:</b> L:271xW:75xH:260mm / L:10.7xW:3.0xH:10.2in <b>BO15:</b> L:189xW:124xH:1080mm / L:7.44xW:4.88xH:42.52in 7.30 kg / 16.09 lbs	Metal	MK15-0353
<b>Rails [2,5,7]</b> 480mm Rail (SPDS2101) 800mm Rail (SPDS2118) 1100mm Rail (SPDS2102)	N/A	<b>SPDS2101:</b> L:480xW:30xH:100 1.06 kg / 2.34 lbs <b>SPDS2118:</b> L:800xW:30xH:100 1.77 kg / 3.90 lbs <b>SPDS2102:</b> L:1100xW:30xH:100 2.43 kg / 5.36 lbs	<b>SPDS2101:</b> Box L:600xW:130xH:130mm / L:23.6xW:5.1xH:5.1in 1.29 kg / 2.84 lbs (Pallet capacity 105 items) <b>SPDS2118:</b> Box L:1200xW:130xH:130mm / L:47.2xW:5.1xH:5.1in 2.27 kg / 5.00 lbs (Pallet capacity 72 items) <b>SPDS2102:</b> Box L:1200xW:130xH:130mm / L:47.2xW:5.1xH:5.1in 2.93 kg / 6.46 lbs (Pallet capacity 72 items)	Extruded aluminium	MK15-0354
<b>Brackets [2,4]</b> VESA 200 bracket non-tilt (SPDS2121) VESA 200 bracket w. tilt (SPDS2104) VESA 200/300/400 bracket non-tilt (SPDS2122) VESA 200/300/400 bracket w. tilt (SPDS2119)	<b>SPDS2121:</b> VESA 200 <b>SPDS2104:</b> VESA 200 <b>SPDS2122:</b> VESA 200/300/400 <b>SPDS2119:</b> VESA 200/300/400 Portrait and landscape supported for all	<b>SPDS2121:</b> L:220xW:220xH:25 0.88 kg / 1.94 lbs <b>SPDS2104:</b> L:230xW:230xH:65 1.47 kg / 3.24 lbs <b>SPDS2122:</b> L:420xW:420xH:25 2.65 kg / 5.84 lbs <b>SPDS2119:</b> L:420xW:420xH:65 2.51 kg / 5.53 lbs	<b>SPDS2121:</b> Box L:271xW:75xH:260mm / L:10.7xW:3.0xH:10.2in 1.08 kg / 2.38 lbs <b>SPDS2104:</b> Box L:271xW:75xH:260mm / L:10.7xW:3.0xH:10.2in 1.67 kg / 3.68 lbs <b>SPDS2122:</b> Box L:435xW:435xH:90mm / L:17.1xW:17.1xH:3.5in 3.45 kg / 7.60 lbs <b>SPDS2119:</b> Box L:435xW:435xH:90mm / L:17.1xW:17.1xH:3.5in 3.31 kg / 7.29 lbs	Metal	MK15-0356
<b>Adapters [1,4]</b> VESA 100 to 200 adapter (SPDS2107) VESA 100 to 200/300/400 adapter for ceiling pole (SPDS2117)	<b>SPDS2107:</b> VESA 200 <b>SPDS2117:</b> VESA 200/300/400 Portrait and landscape supported for all	<b>SPDS2107:</b> L:228xW:228xH:2 0.89 kg / 1.96 lbs <b>SPDS2117:</b> L:430xW:430xH:2 2.39 kg / 5.27 lbs	<b>SPDS2107:</b> Box L:271xW:75xH:260mm / L:10.7xW:3.0xH:10.2in 1.09 kg / 2.40 lbs <b>SPDS2117:</b> Box L:435xW:435xH:90mm / L:17.1xW:17.1xH:3.5in 3.19 kg / 7.03 lbs	Metal	MK15-0359
<b>Back-to-back bracket [1,4]</b> (SPDS2109)	<b>VESA 100:</b> Directly on the bracket <b>VESA 200/300/400:</b> Utilising adapters or brackets for Hook & Rail Portrait and landscape supported for all	L:167xW:125xH:45 0.66 kg / 1.46 lbs	Box L:253xW:193xH:94mm / L:10.0xW:7.6xH:3.7in 0.84 kg / 1.85 lbs	Metal	MK15-0360
<b>Rail wall brackets [3,4,10]</b> Rail wall bracket for tilt (SPDS2110) Rail wall bracket non-tilting (SPDS2111)	<b>VESA 100/200/300/400:</b> Utilising rail and brackets for Hook & Rail Portrait and landscape supported for all	<b>SPDS2110:</b> L:230xW:35xH:24 0.40 kg / 0.88 lbs <b>SPDS2111:</b> L:250xW:45xH:8 0.32 kg / 0.71 lbs	<b>SPDS2110:</b> Box L:300xW:120xH:78mm / L:11.8xW:4.7xH:3.1in 0.50 kg / 1.10 lbs (Pallet capacity: 360 items) <b>SPDS2111:</b> Box L:300xW:120xH:78mm / L:11.8xW:4.7xH:3.1in 0.42 kg / 0.92 lbs (Pallet capacity: 360 items)	Metal	MK15-0362
<b>Rail connector kit [2,7]</b> (4 profile connectors) (SPDS2112)	N/A	L:180xW:15xH:7 (Set of 4) 0.16 kg / 0.35 lbs	Box L:300xW:120xH:78mm / L:11.8xW:4.7xH:3.1in 0.26 kg / 0.57 lbs (Pallet capacity 360 items)	Extruded aluminium	MK15-0354
<b>Rail end caps [2,6]</b> (x2) (SPDS2113)	N/A	L:100xW:30xH:14 (set of 2) 0.11 kg / 0.24 lbs	Box L:193xW:126xH:63mm / L:7.6xW:5.0xH:2.5in 0.28 kg / 0.61 lbs (Pallet capacity: 864 items)	Metal	N/A
<b>Cable management clip [2,8]</b> (SPDS2114)	N/A	L:19xW:19xH:16 0.01 kg / 0.02 lbs	Zipper bag L:100xW:150mm / L:3.9xW:5.9in 0.01 kg / 0.02 lbs (Bulk packed)	Plastic	N/A
<b>Rail connector nut [1,7]</b> (x4) (SPDS2116)	N/A	L:20xW:11xH:4 (set of 4) 0.02 kg / 0.04 lbs	Zipper bag L:100xW:150mm / L:3.9xW:5.9in 0.02 kg / 0.04 lbs (Bulk packed)	Extruded aluminium	N/A
<b>Universal mount for media player [2,5]</b> (SPDS2115)	N/A	L:200xW:150xH:35 0.34 kg / 0.75 lbs	Box L:253xW:193xH:94mm / L:10.0xW:7.6xH:3.7in 0.54 kg / 1.19 lbs (Pallet capacity 256 units)	Metal	MK15-0361
<b>Quick release plunger [2]</b> (SPDS2120)	N/A	L:15xW:15xH:27 0.02 kg / 0.04 lbs	Zipper bag L:100xW:150mm / L:3.9xW:5.9in 0.02 kg / 0.04 lbs (Bulk packed)	Metal	MK15-0365

## All products come with a 5-year warranty

[1] Mounting option: ceiling

[2] Mounting option: ceiling and wall

[3] Mounting option: wall

[4] Compatible hardware: display

[5] Compatible hardware: media players

[6] Cable management: Yes (integrated)

[7] Cable management: Yes (SPDS2114)

[8] Cable management: Yes

[9] Weight limit: 150 kg pr. ceiling pole

[10] Weight limit: 150 kg pr. wall bracket