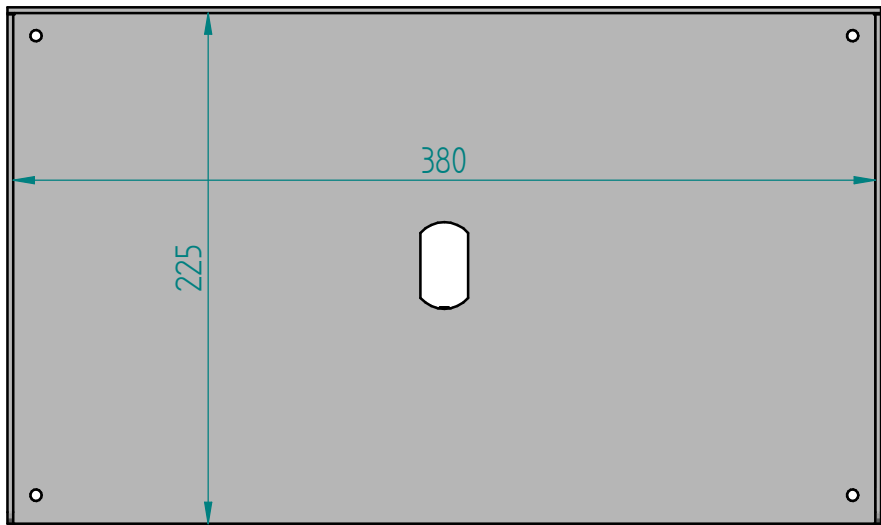
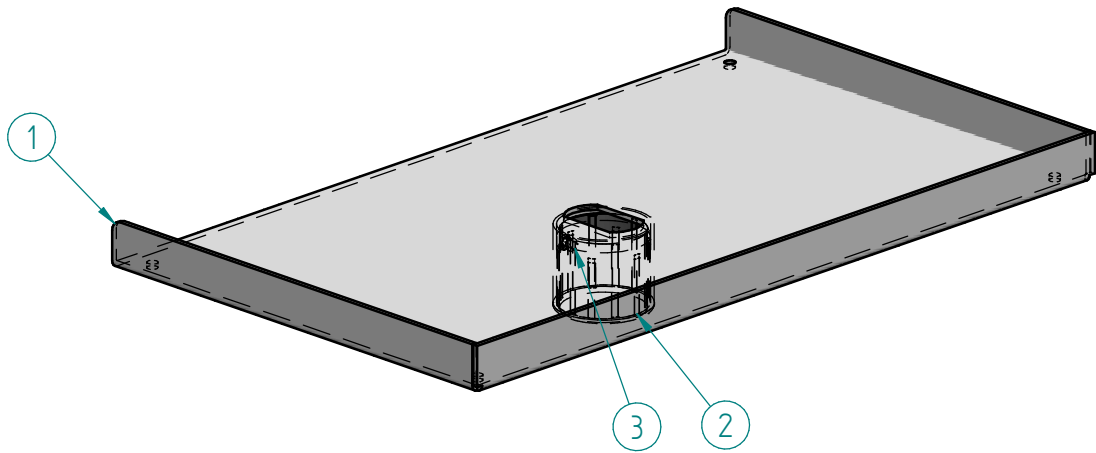



Rev	Change	Date	Int.
-----	--------	------	------



Pos	Part Number	Qty	Description
1		1	Printer plate (380 x 225)
2		1	Plastic Anti-Wobble sleeve, SP1 long and black
3		1	Pinol M6x6mm, with hex hole

Description Printer plate (380 x 225)		Category	Weight 2,083 kg	Revision A
 ergonomic solutions	COPYRIGHT © ERGONOMIC SOLUTIONS 2013 www.ergonomic-solutions.net <small>Unless otherwise specified tolerances according to ISO 2768-m All dimensions are in millimeters</small>	Size: A4	Name LEJ	Date 25-10-2013
		Drawn	lej	23-05-2013
		Last Update		
		Drawing No SPQC-PP005		