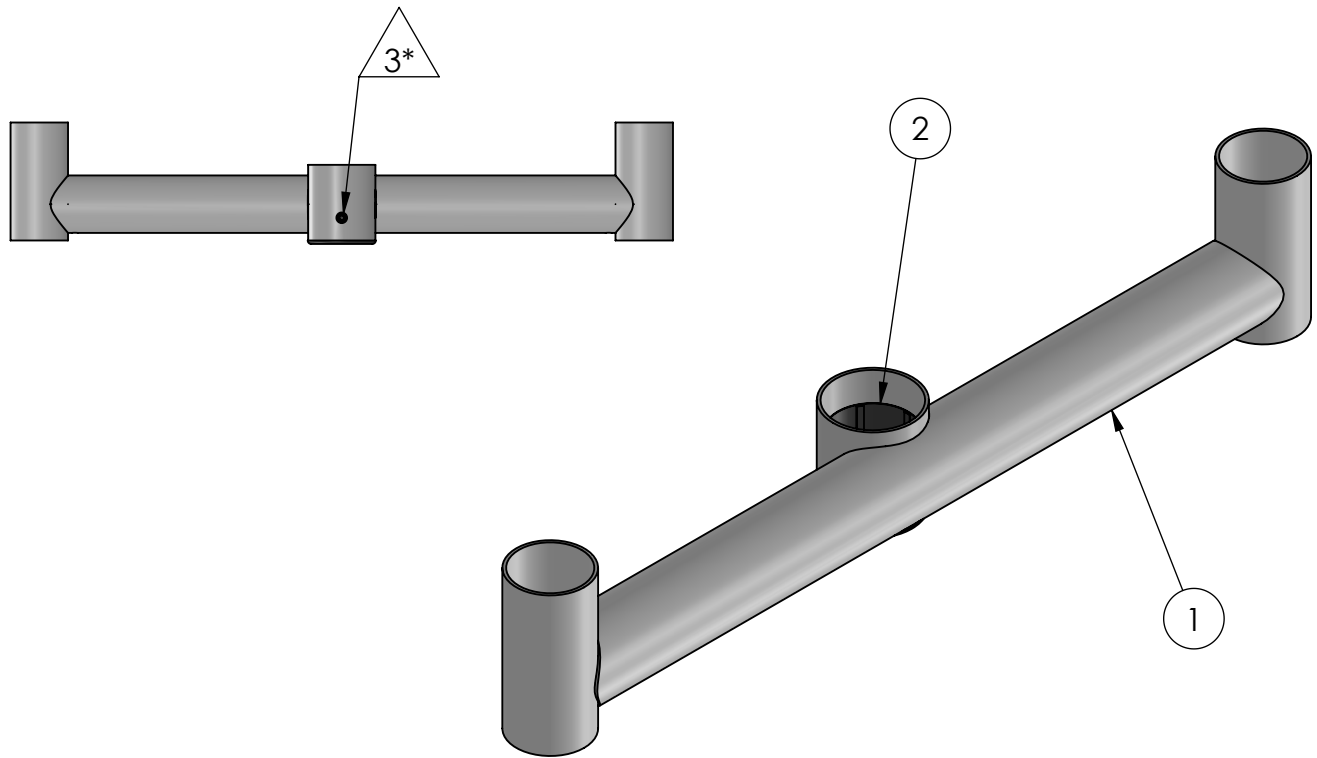
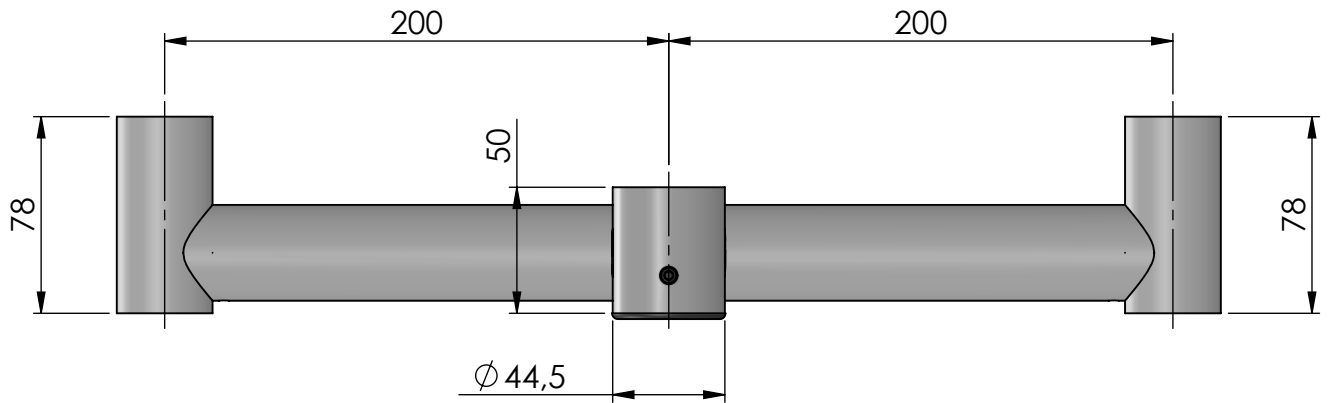



Rev.	Change	Date	Init.
A	Prototype approved and P/N issued	23-11-2022	EG

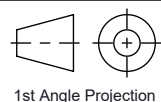


POS	PARTNUMBER	C200253_S1	DESCRIPTION
1	C200253U	1	SP1 50 mm outerpole, double swingarm 2x200mm with 2x78mm endpole
2	SP1-P22112-02	1	Plastic Anti-Wobble sleeve, SP1 long and black
3	M9915-0606-02	1	Grub screw M6x6mm with hex hole, black

***SELECT VARIANT**

See triangular balloon & parts list

Description SP1 50 mm outerpole, double swingarm 2x200mm with 2x78mm endpole		Weight 0.81 kg	Revision A
	COPYRIGHT © ERGONOMIC SOLUTIONS 2022 www.ergonomic.solutions	Size: A4	Name egn
		Drawn	07-10-2021
Unless otherwise specified tolerances according to ISO 2768-m All dimensions are in millimeters		Last Update	23-11-2022
		Drawing No	
		C200253	



1st Angle Projection