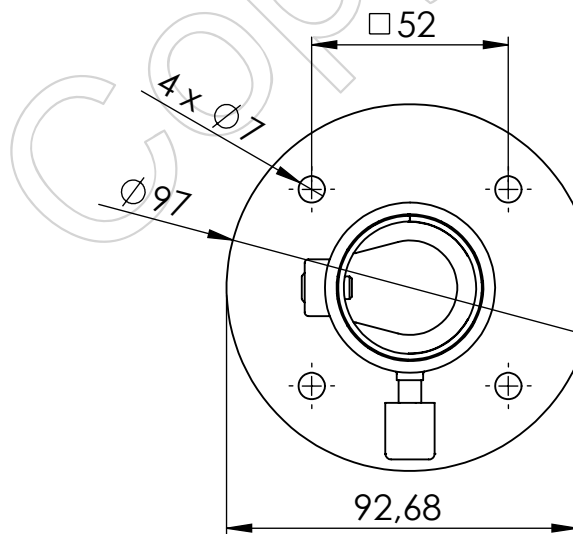
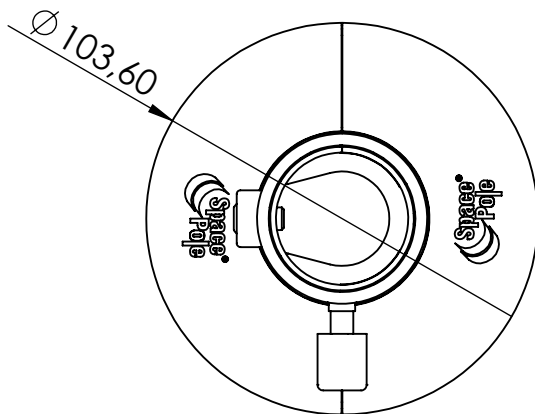
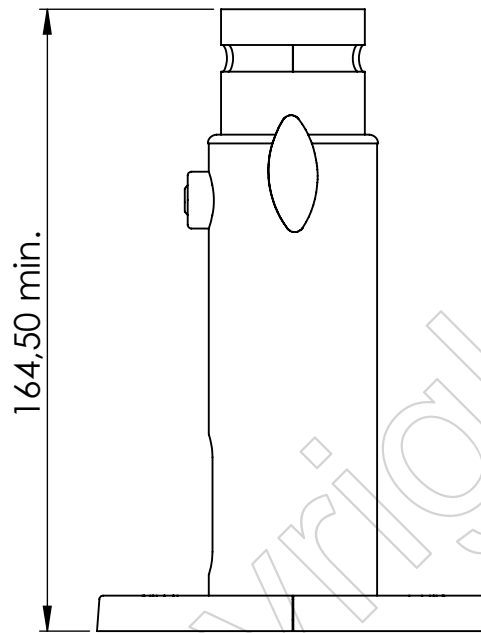
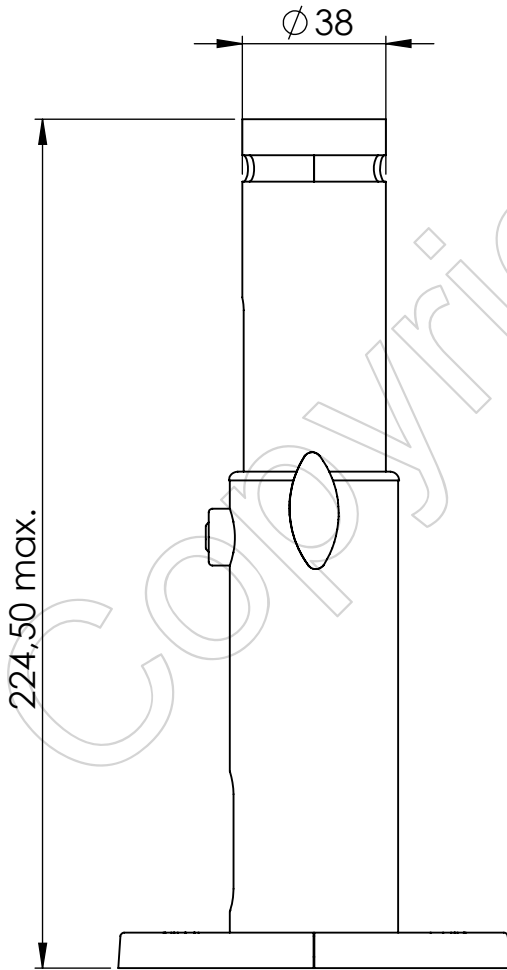


POS	PARTS LIST	QTY.	DESCRIPTION	BOX
1	C100852	1	Telescopic pole, 60mm	
2	SP2-P22510-nn	1	Flange cover SP2, 2-part	
	MK15-0367	1	Installation guide for Height Adjustable Pole Installation Guide	
	B0152	1	Box L193xW126xH126mm / L7.6xW5.0xH5.0in	

ADDITIONAL INFO:

QTY. of configs in master box: 1 Item Net Weight: 0.62 kg | 1.37 lbs Pallet Capacity: B0152 (432 items)

Colour: nn 01 = Light Grey 02 = Black 03 = Silver 04 = Pearl 05 = Iron Grey 32 = White



ADDITIONAL INFO:

QTY. of configs in master box: 1		Item Net Weight: 0.62 kg 1.37 lbs			Pallet Capacity: B0152 (432 items)	
Colour: nn	01 = Light Grey	02 = Black	03 = Silver	04 = Pearl	05 = Iron Grey	32 = White