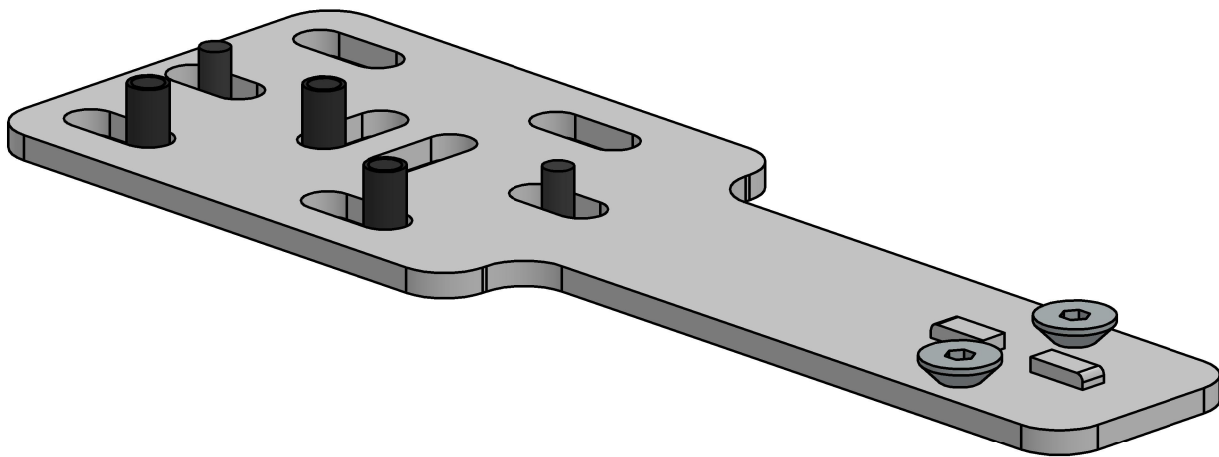



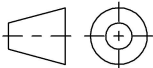
Rev.	Change	Date	Init.
A	Prototype approved and P/N issued	03-02-23	cw



POS	PARTNUMBER	Default/QTY.	DESCRIPTION
1	C4900566U	1	Site bracket for DS457/Datalogic Gryphon GFS4450/Honeywell 3320g
2	M9910-0306-02	2	Pozi pan head machine screw, M3x6mm, black
3	M9910-0408-02	3	Pozi pan head machine screw, M4x8mm, black
4	MK10-0005	1	MultiGrip™ fixing for NonTilting Solution

Description Site bracket for DS457/Datalogic Gryphon GFS4450/Honeywell 3320g SuperLead 4200N, Zebex Z-5132	Weight 0.09 kg	Revision A
---	--------------------------	----------------------

	COPYRIGHT © ERGONOMIC SOLUTIONS 2023 www.ergonomic.solutions	Size: A4	Name	Date
		Drawn	cw	20/10/2017
		Last Update	claire.wahl	03/02/2023

Unless otherwise specified tolerances according to ISO 2768-m All dimensions are in millimeters	 1st Angle Projection	Drawing No C4900566
--	---	--