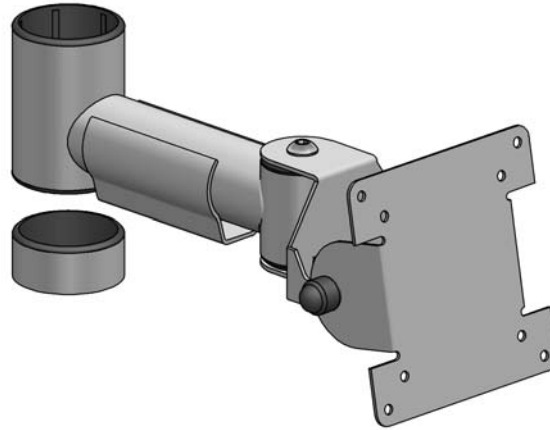


## Project Configuration Sheet – SPQ-22-nn

### Peripheral Arm VESA 75/100 Swingarm SP2, 150mm with lockring, Cable Clip & VESA 75/100 Mount Version 1.0



#### Parts List

Part No.	Description	Qty	Assemble	Box
SP2-2102-150	Swingarm SP2, 150mm with 44mm Endpole	1	1	1
7303	Connection for Screen (horiz. Rotation)	1	1	1
4118041	VESA75/100 Adapter Plate with 4x M4x10mm screws (MK8-0002)	1	1	1
SP2-21210	Lockring SP2	1	1	1
P22700-0080	Cable Clip SP1, 80mm	1	1	1

**Box** 36x packed in Master Box B014

**Box Label** MK15-0021 – SPQ-22-nn – Peripheral Arm VESA 75/100 – V 1.0 (place on each item)  
MK15-0001 – 36x SPQ-22-nn – Peripheral Arm with *DuraTilt™* – Swingarm SP2, 150mm with Lockring, Cable Clip & VESA 75/100 Mount - V 1.0

Colour	<nn>	01	Light Grey
		02	Black
		03	Silver
		04	Pearl
		05	Iron Grey