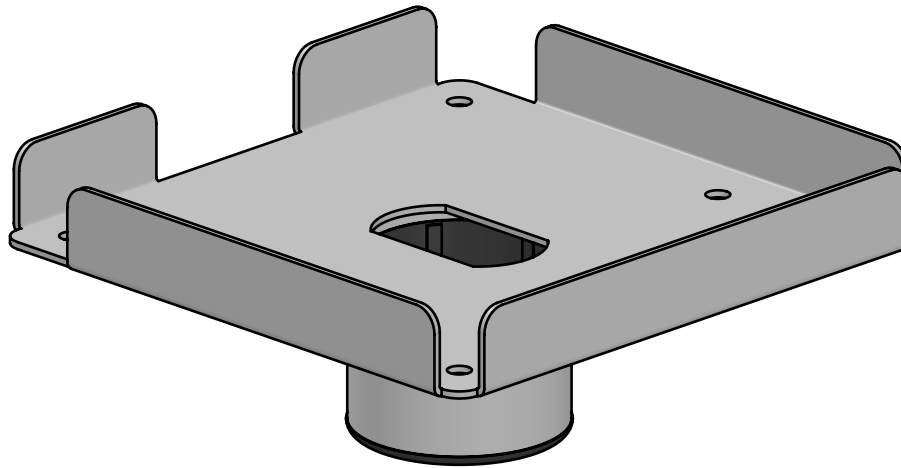

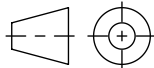


Rev.	Change	Date	Init.
A	Prototype approved and P/N issued	19-02-20	LVH



POS	PARTNUMBER	QTY.	DESCRIPTION
1	C4300152U	1	Printer plate for Epsom TM-M30
2	SP1-P22112-02	1	Plastic Anti-Wobble sleeve, SP1 long and black
3	M9915-0606-02	1	Grub screw M6x6mm with hex hole, black

Description Printer plate for Epsom TM-M30, with holes for securing the printer		Category Printer plates	Weight 0.38 kg	Revision A	
	COPYRIGHT © ERGONOMIC SOLUTIONS 2021 www.ergonomic.solutions		Size: A4	Name	
			Drawn	egn	Date
			Last Update	Dennis.Poulsen	23-06-2021
Unless otherwise specified tolerances according to ISO 2768-m All dimensions are in millimeters		 1st Angle Projection	Drawing No <h1 style="text-align: right;">C4300152</h1>		