
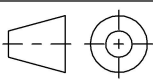




POS	PARTNUMBER	QTY.	DESCRIPTION		
1	SP2-1000U-0200	1	Pole SP2, 200mm		
Description Pole SP2, 200mm			Category	Weight	Revision A
	<p align="center"> COPYRIGHT © ERGONOMIC SOLUTIONS 2019 www.ergonomic-solutions.net </p> <p> <small>Unless otherwise specified tolerances according to ISO 2768-m All dimensions are in millimeters</small> </p>		Size: A4	Name	Date
			Drawn		09-Dec-14
			Last Update	jp	09-Dec-14
		 <p>1st Angle Projection</p>	Drawing No <p align="center">SP2-1000-0200</p>		