
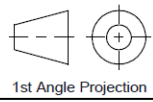


POS	PARTNUMBER	QTY.	DESCRIPTION	
1	SP2-9101A-0400_S4	1	SP2, 400mm Elbow Arm; Part A	
2	C200216B	1	400mm Elbow Arm; Part B	
3	SP1-P22104-02	1	SP1 End Cap with SpacePole Logo	
<b>Description</b> SP2, 600mm Elbow Arm (200+400mm)			<b>Category</b> Swingarms	
			<b>Weight</b> 1.61 kg	
			<b>Revision</b> A	
	<p align="center"> <b>COPYRIGHT © ERGONOMIC SOLUTIONS 2020</b>  <a href="http://www.ergonomic.solutions">www.ergonomic.solutions</a> </p> <p> <small>Unless otherwise specified tolerances according to ISO 2768-m All dimensions are in millimeters</small> </p>		<b>Size: A4</b>	
			<b>Drawn</b>	<b>Name</b>
			<b>Last Update</b>	<b>Date</b>
			<b>Drawing No</b>	
			<b>SP2-C200216</b>	



1st Angle Projection