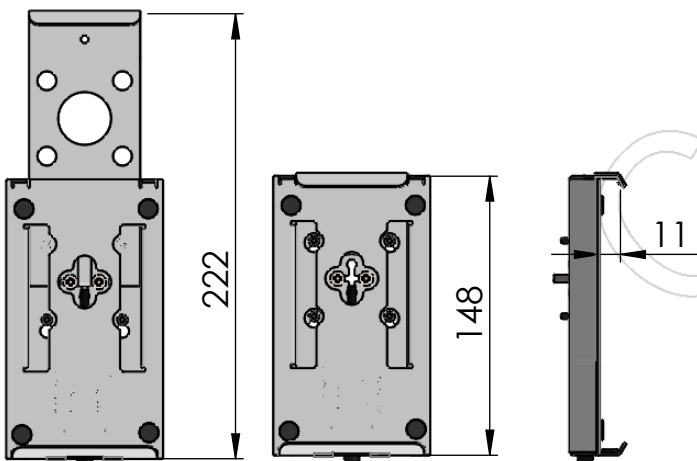
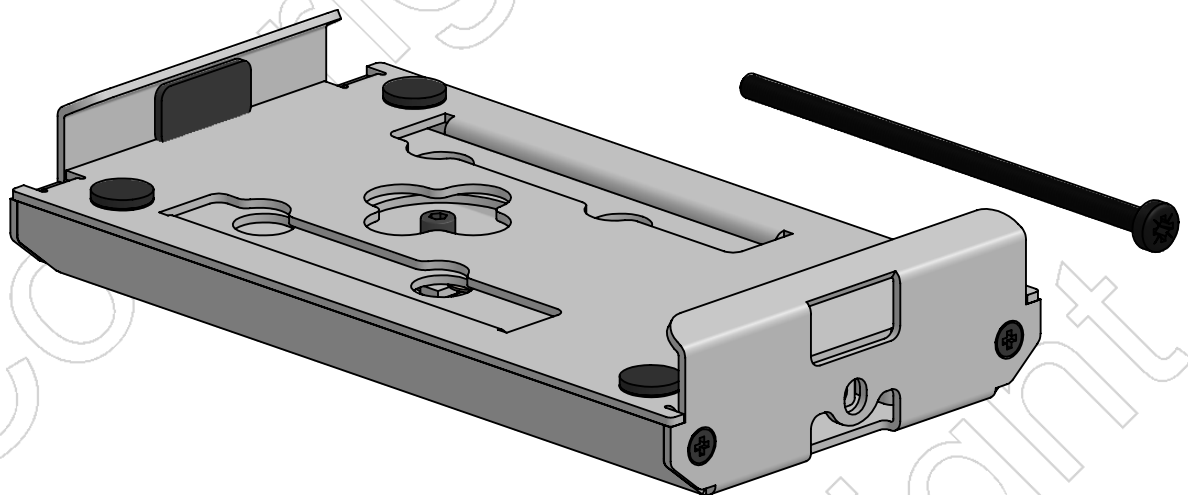


*90mm screw not assembled in house



POS	PARTS LIST	QTY.	DESCRIPTION	BOX
1		1	Spring loaded U-Frame, grip range 148-222mm, tablet thickness Max. 11mm	
		1	Box L193xW126xH63mm / L7.6xW5.0xH2.5in	

ADDITIONAL INFO:

QTY. of configs in master box:	Item Net Weight: 0.46 kg 2.14 lbs				Pallet Capacity:	
Colour: nn	01 = Light Grey	02 = Black	03 = Silver	04 = Pearl	05 = Iron Grey	32 = White