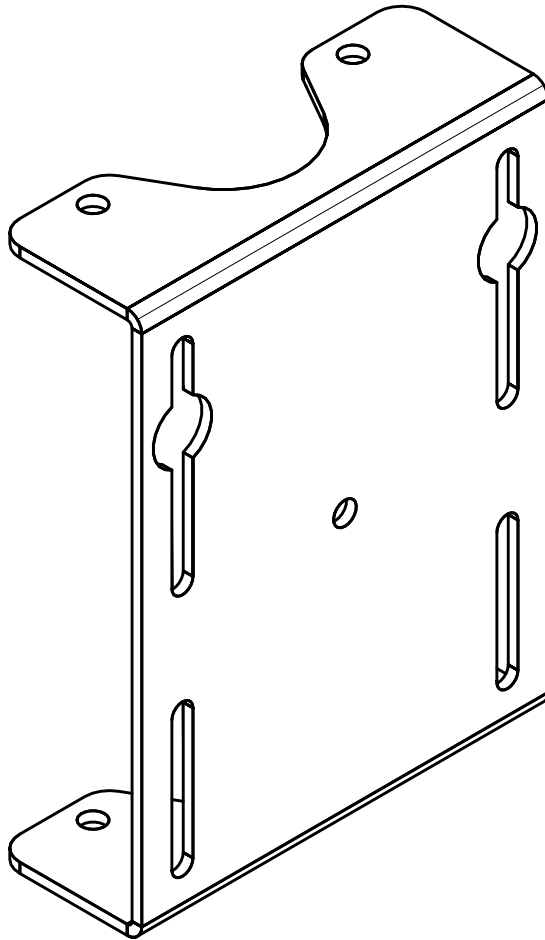


Installation Guide

SPDS2109

Back-to-back rail bracket





CAUTION

This product must be installed by a professional installer. It is recommended that more than one person is involved in the installation of this product.

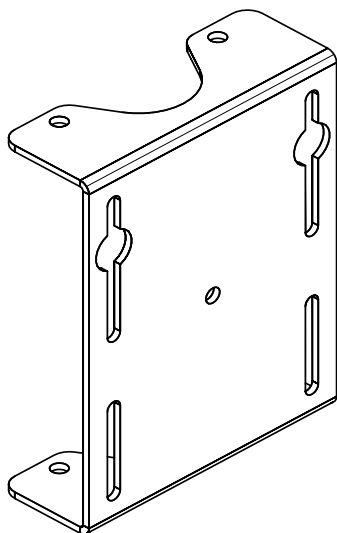
Do not exceed the stated weight limits.
The maximum weight limit for this product is 150 kg per ceiling pole.

This product is intended for indoor use only.

If these installation instructions are not followed precisely, it could lead to product failure and potential personal injury.

Ergonomic Solutions cannot be held responsible for any failure or injury, if the installation instructions are not followed correctly.

Box content



x1



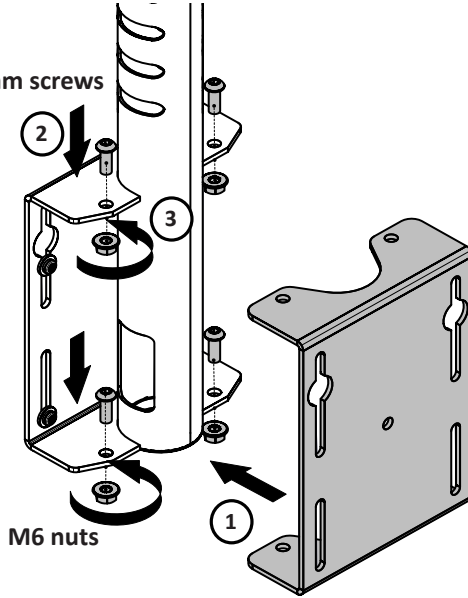
x4 M6 x 16mm screws



x4 M6 nuts

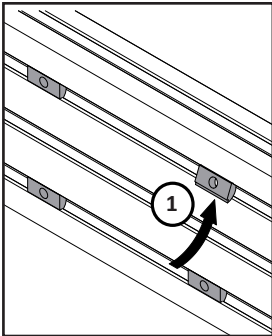
1 Mount bracket on ceiling pole

M6 x 16mm screws

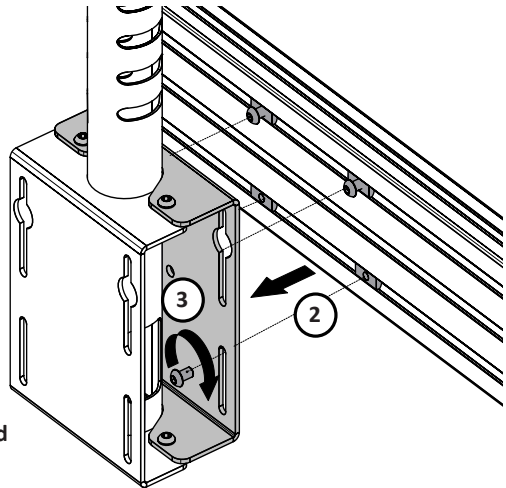


A2 Mount rail on bracket (optional)

Use nuts and screws
from SPDS2116

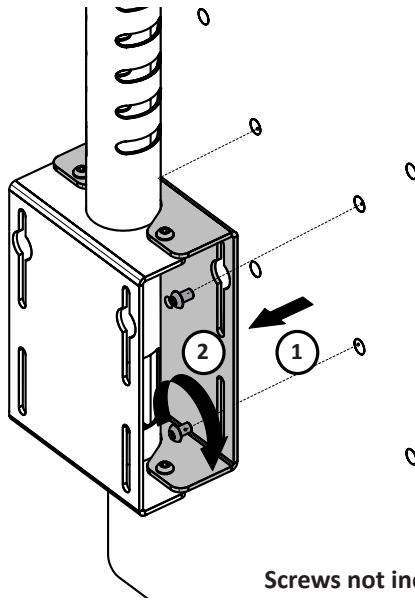


- 1 Fix T-Nuts into rail x4
- 2 Fix top screws in to T-Nuts and hook rail onto the pole
- 3 Tighten top screws and mount bottom screws



B2 Mount screen on bracket (optional)

Only for VESA 100



Screws not included