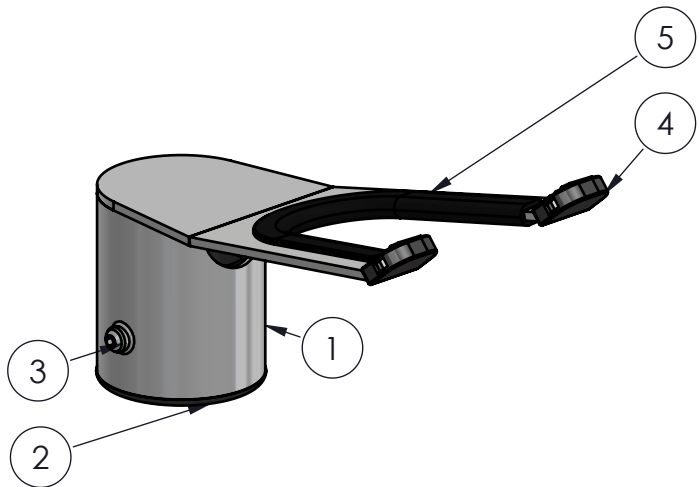
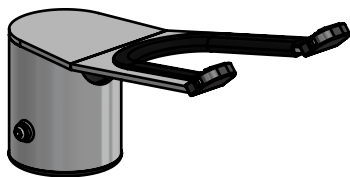
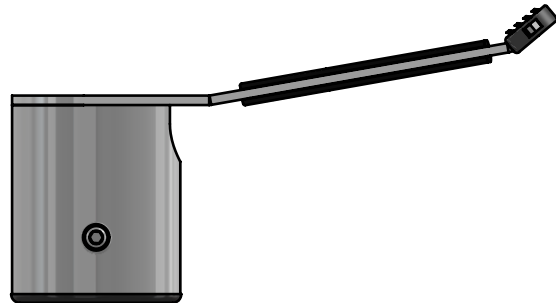
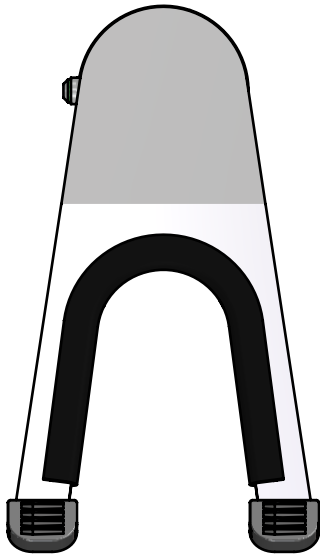


Rev	Change	Date	Int.
A	Prototype approved and P/N issued	04-12-15	lej



POS	PARTNUMBER	QTY.	DESCRIPTION
1	C4900234U	1	Scanner mount for Gryphon GD4130
2	SP1-P22116-02	1	SP1 Anti-Wobble Sleeve for C&P Pole Mounts
3	M9915-0606	1	Pinol M6x6mm, with hex hole
4	P22601-02	2	Rubberfriction pad, short
5	P22628-0140-02	1	Cable grommet for Proto 7894 - 140mm

<b>Description</b> Scanner mount for Gryphon GD4130	<b>Category</b>	<b>Weight</b> 0.25 kg	<b>Revision</b> A
--	-----------------	--------------------------	----------------------

 <b>ergonomic solutions</b>	<b>COPYRIGHT © ERGONOMIC SOLUTIONS 2015</b> <a href="http://www.ergonomic-solutions.net">www.ergonomic-solutions.net</a>  <small>Unless otherwise specified tolerances according to ISO 2768-m All dimensions are in millimeters</small>	<b>Size: A4</b>	<b>Name</b>	<b>Date</b>
		<b>Drawn</b>	lej	16-09-2015
		<b>Last Update</b>	lej	04-12-2015

<b>Drawing No</b>	<b>C4900234</b>
-------------------	-----------------