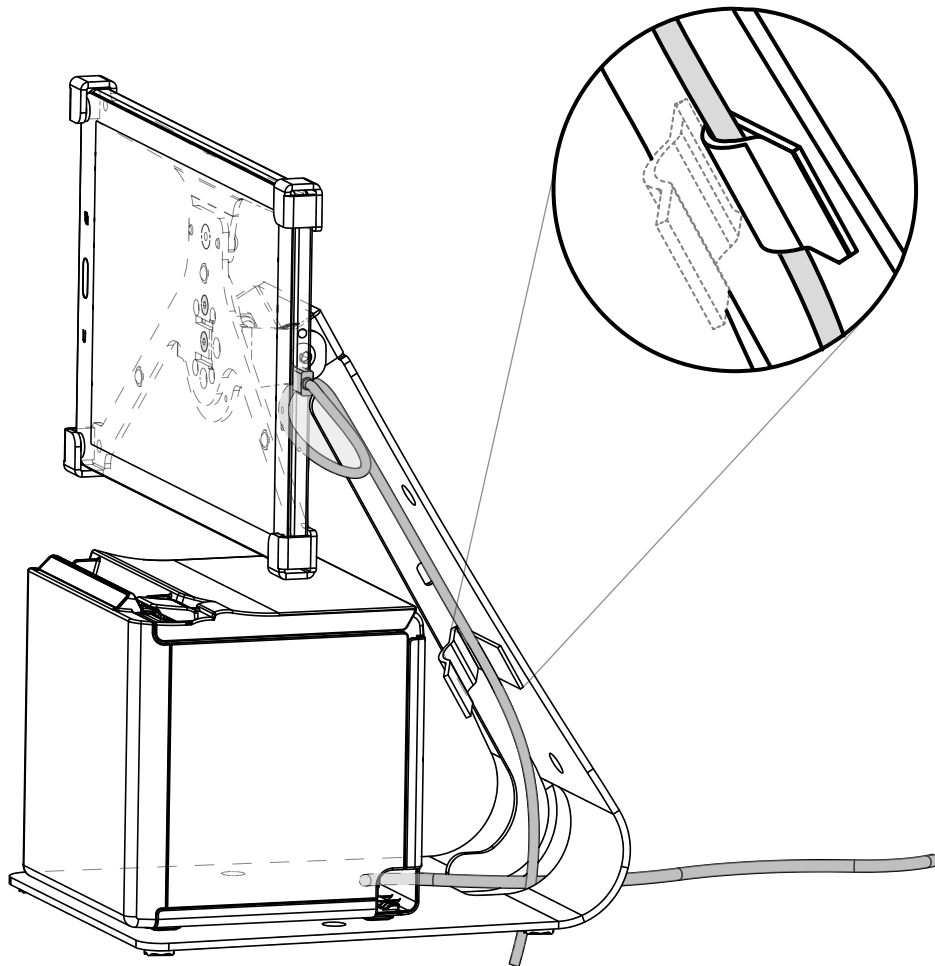


3 Cable management recommendation
for X-Frame + Printer setup

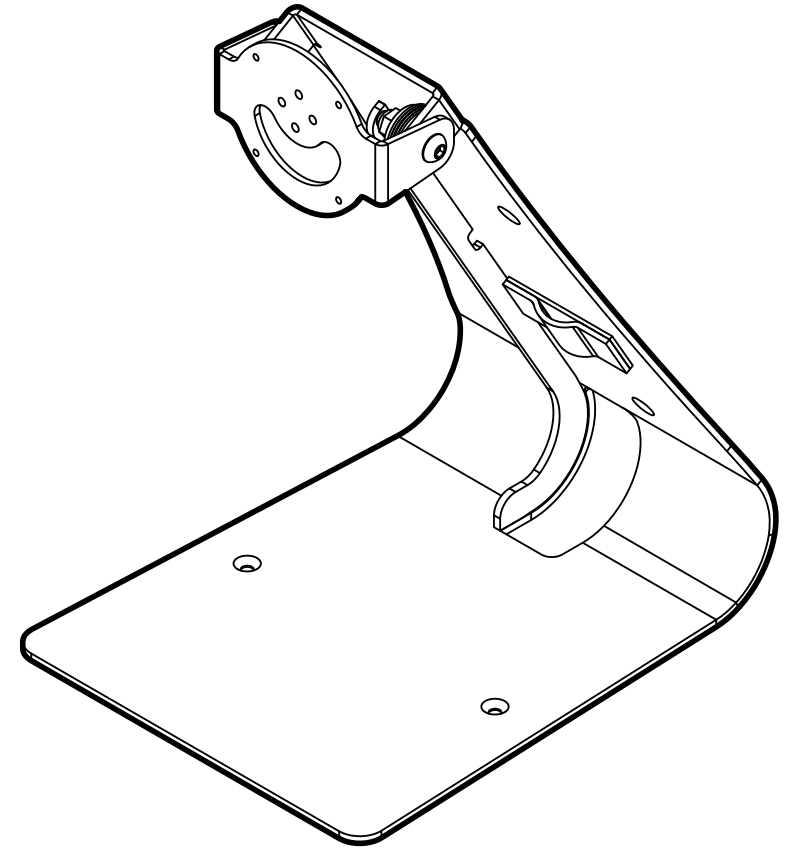
Optional:
Use supplied hook&loop velcro to secure charging cables

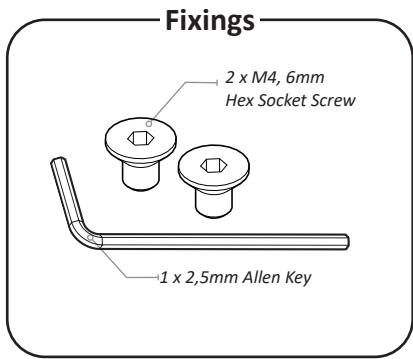


SpacePole

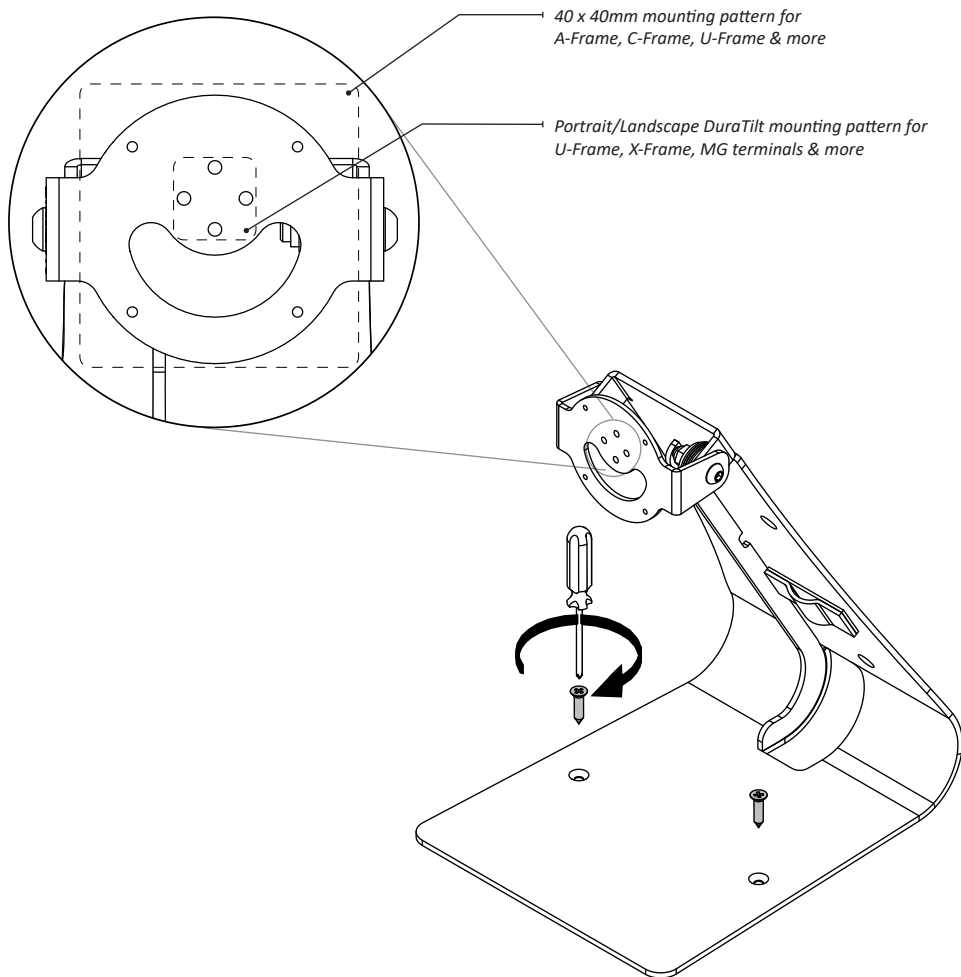
TabPrint Curve

Installation Guide





- 1** Option to mount TabPrint Curve
Screws not included with standard



- 2** X-Frame* exclusive step
Mount X-Frame using supplied 2 x 6mm, M4 screws
Tighten using supplied 2,5mm Allen Key

⚠ Do NOT use 10mm, M4 screws

