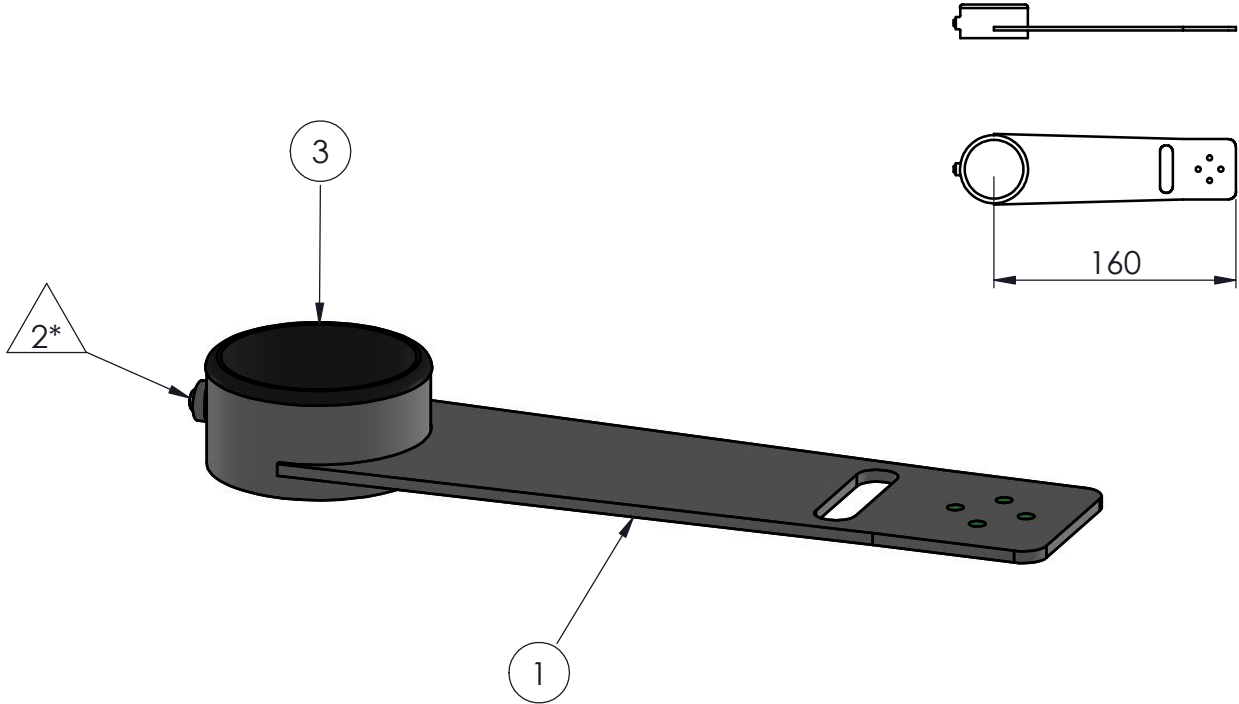



Rev	Change	Date	Int.
-----	--------	------	------



POS	PARTNUMBER	QTY.	DESCRIPTION
1	CB00138U	1	Lockring SP1 with Bracket 160mm w/ MultiGrip hole pattern
2	M9915-0606	1	Pinol M6x6mm, with hex hole
3	SP1-P22100-02	1	SP1 Short Insert

Description Lockring SP1 with Bracket 160mm w/ MultiGrip hole pattern		Category	Weight 0.17 kg	Revision A
 ergonomic solutions	COPYRIGHT © ERGONOMIC SOLUTIONS 2014 www.ergonomic-solutions.net	Size: A4	Name	Date
		Drawn	pl	19-11-2014
Unless otherwise specified tolerances according to ISO 2768-m All dimensions are in millimeters		Last Update	pl	19-11-2014
		Drawing No		CB00138