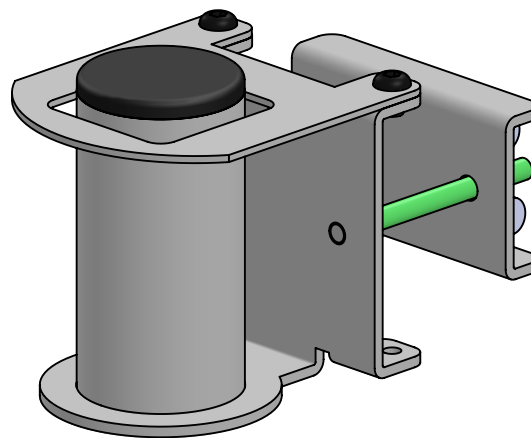


SPVWD108-nn

Clamp mount - max profile 45 x 60 mm



Version: 1.0



POS	PARTS LIST	QTY.	DESCRIPTION	BOX
	SP2-CB00286	1	SP2 Wall mount for Beam 45x60mm	
	B001	1	B001 Spacepole Box	
	MK15-0026	1	Spacepole® Essentials product label	

ADDITIONAL INFO:

QTY. of configs in master box: 1

Item Weight: 0.66 kg

Pallet Capacity: 320 items (B001)

Colour: nn

01 = Light Grey

02 = Black

03 = Silver

04 = Pearl

05 = Iron Grey

32 = White