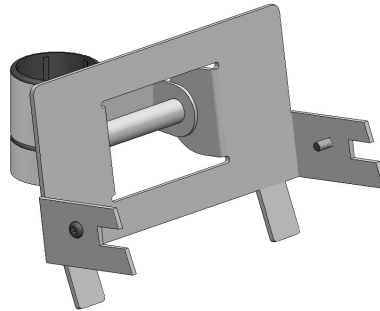




**Project Configuration Sheet – SPQ-342**

**QT6600 - Mount  
Version 1.1**



**Parts List**

<i>Part No.</i>	<i>Description</i>	<i>Qty</i>	<i>Assemble</i>	<i>Box</i>
SP2-21210	SP2-Lockring with M6 grub screw	1		1
SP2-7101-10	SP2 pole mount locking connection arm	1	1	1
C4100049	Adapter plate for Casio QT-6600	1	1	1

**Fixings**

<i>Part No</i>	<i>Description</i>	<i>Qty</i>	<i>Box</i>
----------------	--------------------	------------	------------

**Box Label**

SPQ-342 - QT6600 - version 1.1

<b>Colour</b>	<nn>	
	01	Light Grey
	02	Black
	03	Silver
	04	Pearl
	05	Iron Grey