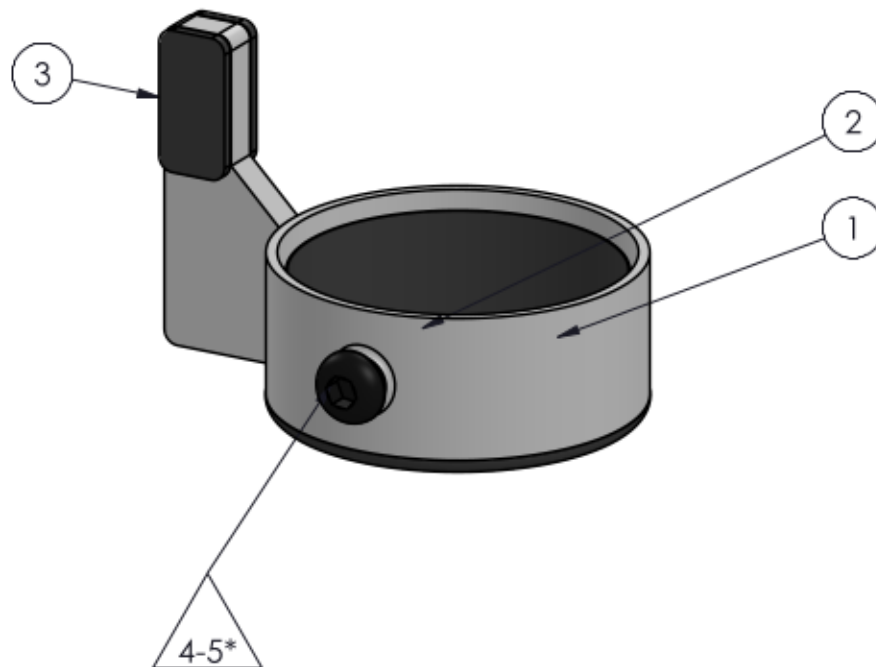



Rev	Change	Date	Int.
A	Prototype approved and P/N issued	14-12-15	JP
B	Plate change from 2.5mm to 5mm	12-05-16	JP
C	Lenght change from 50mm to 45mm	28-07-16	JP



POS	PARTNUMBER	SP2-C100598_S3	SP2-C100598_S4	DESCRIPTION
1	SP2-C100598U	1	1	Add on rotation stop SP2
2	SP2-P22100-02	1	1	Short plastic sleeve, SP2
3	P22171-02	2	2	Felt bumpon 10 x 20 mm
4	M9936-0608-02	1	-	Hex socket button head cap screw, M6x8mm, black
5	m9936-0606-raa	-	1	Hex socket button head cap screw, M6x6mm

**\*SELECT  
VARIANT**

See triangular  
balloon &  
parts list

<b>Description</b> SP2 locking with stop on		<b>Category</b> Poles -	<b>Weight</b> 0.09 kg	<b>Revision</b> C
 ergonomic solutions	<b>COPYRIGHT © ERGONOMIC SOLUTIONS 2015</b> <a href="http://www.ergonomic-solutions.net">www.ergonomic-solutions.net</a>		<b>Size: A4</b>	<b>Name</b>
	<small>Unless otherwise specified tolerances according to ISO 2768-m All dimensions are in millimeters</small>		<b>Drawn</b> cw	<b>Date</b> 14-08-2015
		<b>Last Update</b> jp	<b>Date</b> 28-07-2016	
		<b>Drawing No</b>	<b>SP2-C100598</b>	