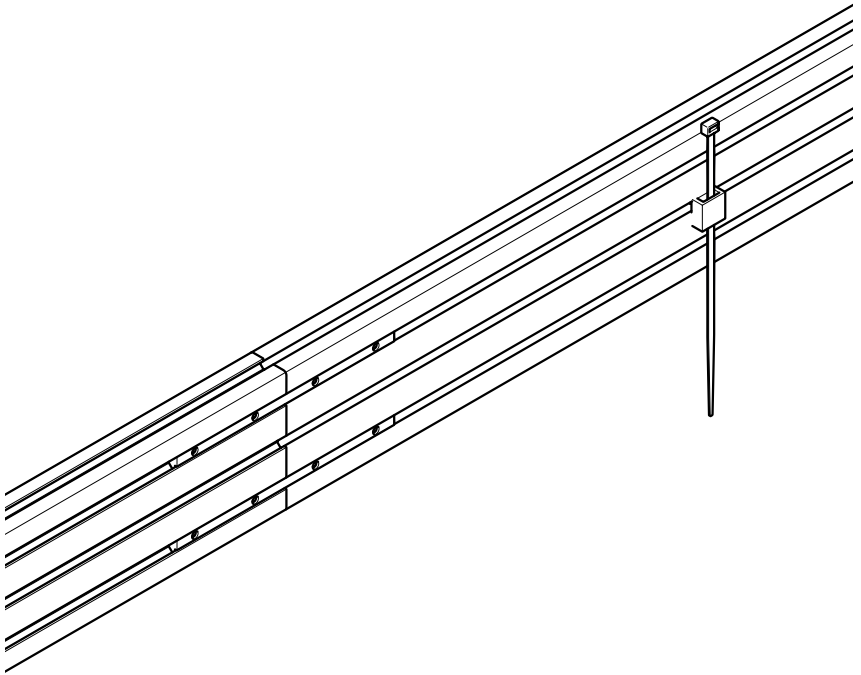


Installation Guide

**SPDS2101 + SPDS2102 + SPDS2118
SPDS2112 + SPDS2113 + SPDS2114**

Rails & accessories





CAUTION

This product must be installed by a professional installer. It is recommended that more than one person is involved in the installation of this product.

This product is intended for indoor use only.

If these installation instructions are not followed precisely, it could lead to product failure and potential personal injury.

Ergonomic Solutions cannot be held responsible for any failure or injury, if the installation instructions are not followed correctly.

Box content

SPDS2101

Rail L = 480mm

or

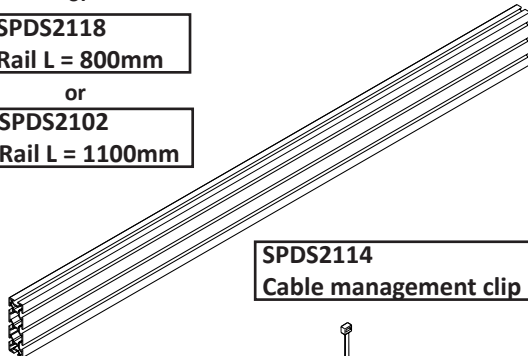
SPDS2118

Rail L = 800mm

or

SPDS2102

Rail L = 1100mm



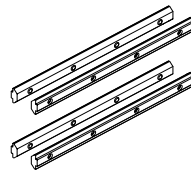
SPDS2114

Cable management clip



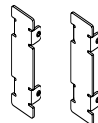
SPDS2112

Rail connector kit

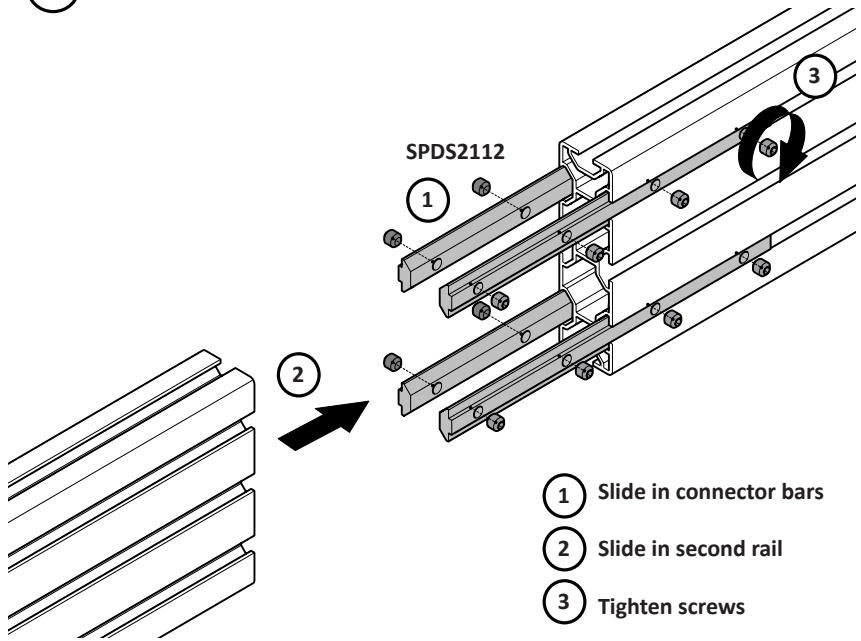


SPDS2113

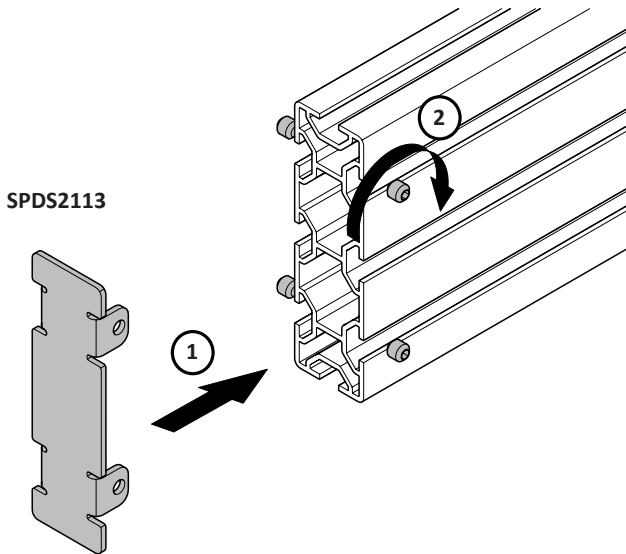
Rail end caps



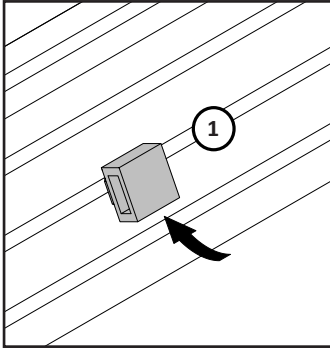
1 Rail assembly



2 Mount end caps on both ends



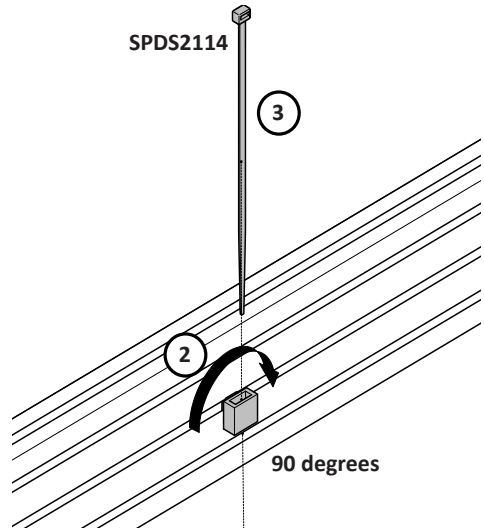
3 Mount cable management clip



1 Fix cable tie anchor to rail

2 Turn 90 degrees

3 Run cables and tighten cable tie



SPDS2114

90 degrees