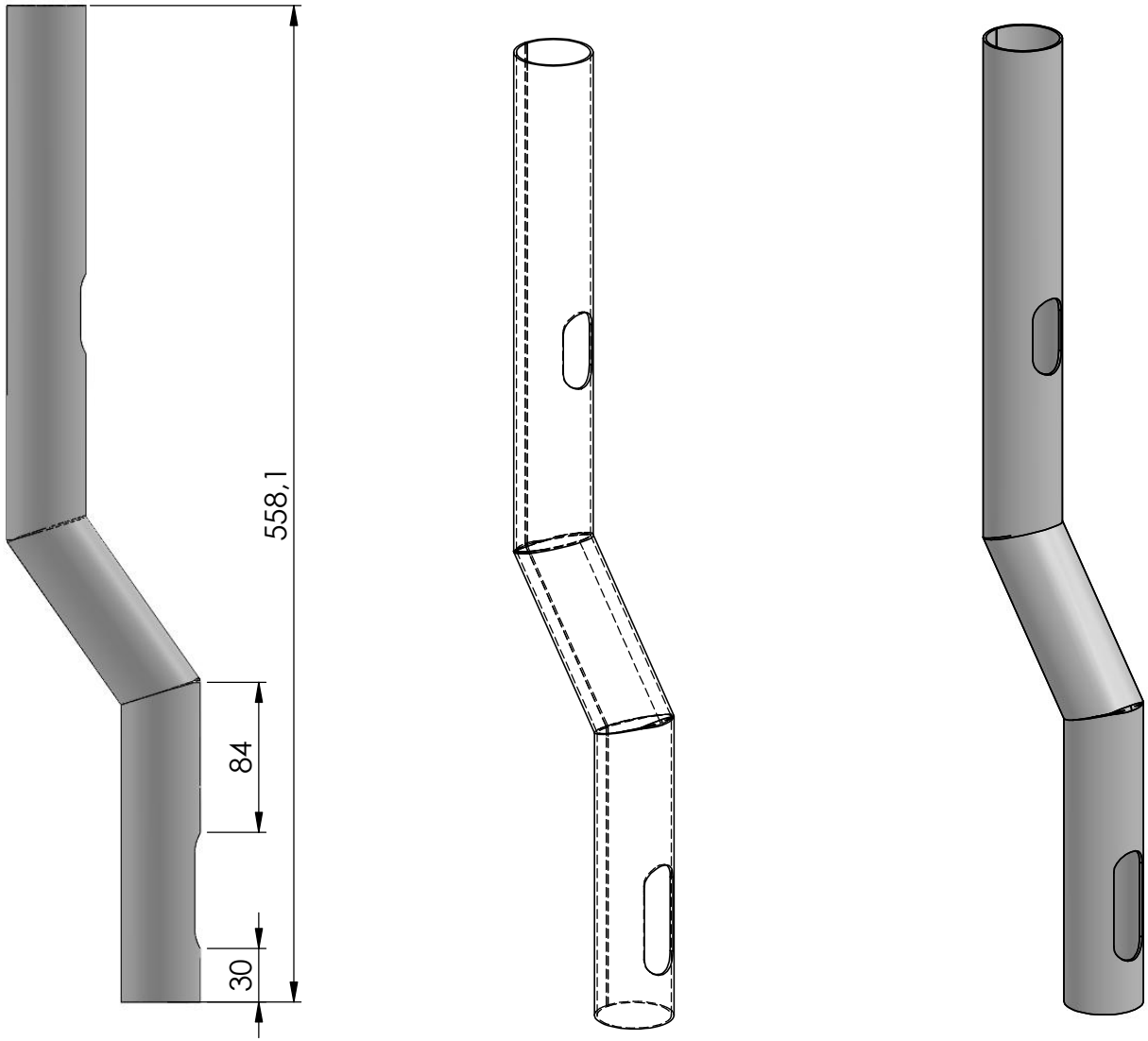

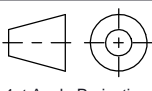


Rev.	Change	Date	Init.
A	Prototype approved and P/N issued	23-06-23	Cw



POS	PARTNUMBER	QTY.	DESCRIPTION	
1	SP2-C101050U	1	SP2 560mm with 2 bend and 2 x cable hole	
Description SP2 560mm with 2 bend and 2 x cable hole			Weight 0.89 kg	
			Revision A	
	COPYRIGHT © ERGONOMIC SOLUTIONS 2023 www.ergonomic.solutions		Size: A4	
			Drawn cw	25/03/2022
			Last Update claire.wahl	23/06/2023
Unless otherwise specified tolerances according to ISO 2768-m All dimensions are in millimeters		 1st Angle Projection	Drawing No SP2-C101050	