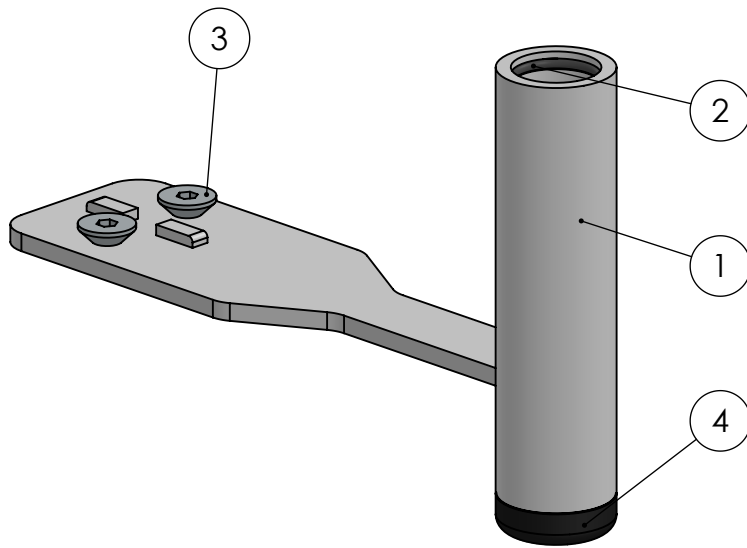

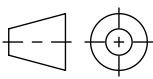


Rev.	Change	Date	Init.
A	No Proto type produced - drawing approved and P/N issued.	17-10-2021	lvh



POS	PARTNUMBER	QTY.	DESCRIPTION
1	CB00698U	1	90 deg Pen holder
2	P22-00288	1	O-ring - Ø13.6 / Ø11 / Ø1.3, M-Seals 201440
3	MK10-0005	1	MultiGrip™ fixing for NonTilting Solution
4	P22-00048-02	1	Plastic plug for Ø16x2 pole

Description 90 deg Pen holder with O-ring		Category	Weight 0.08 kg	Revision A
	COPYRIGHT © ERGONOMIC SOLUTIONS 2021 www.ergonomic.solutions		Size: A4	Name
			Drawn lvh	Date 04-10-2021
			Last Update liselotte.husted	Date 17-10-2021
Unless otherwise specified tolerances according to ISO 2768-m All dimensions are in millimeters		 1st Angle Projection	Drawing No CB00698	