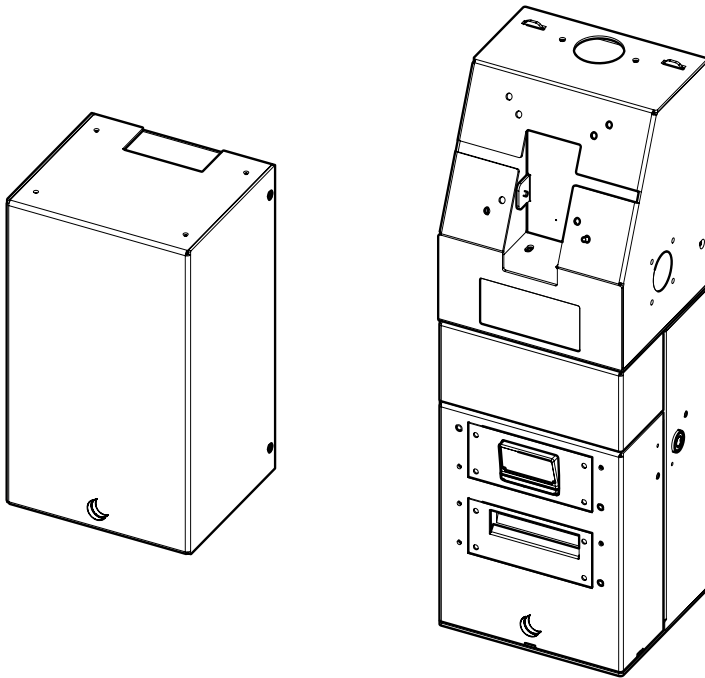


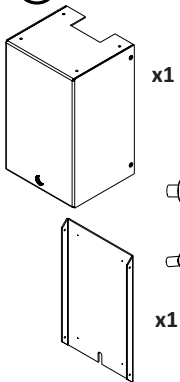
Installation Guide

SPK200, SPK20X, SPK5XX

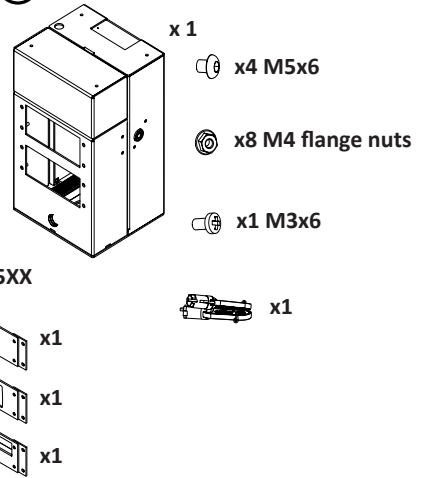
Center module for the SpacePole Kiosk



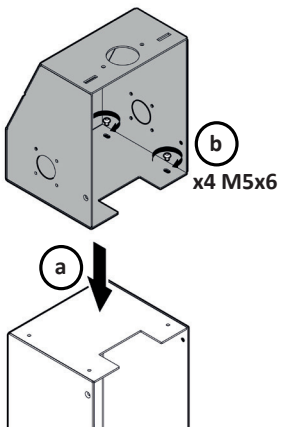
A SPK200



B SPK20X

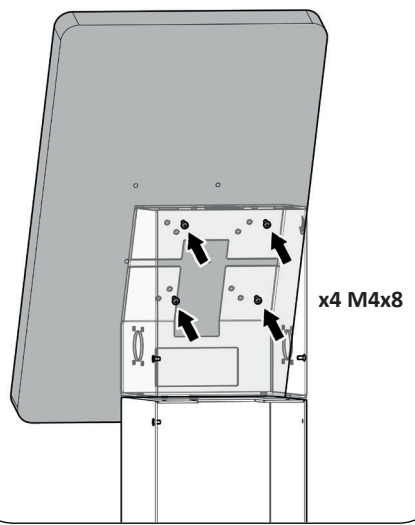


A1 Assemble the parts



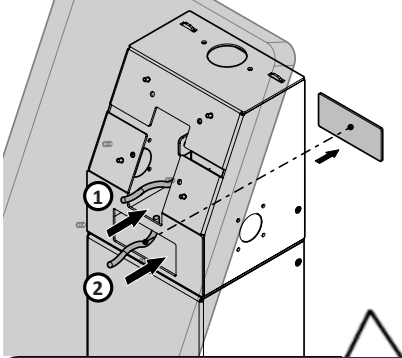
- a** Place the top module on the center module
- b** Secure it with the screws supplied

A2 Install screen



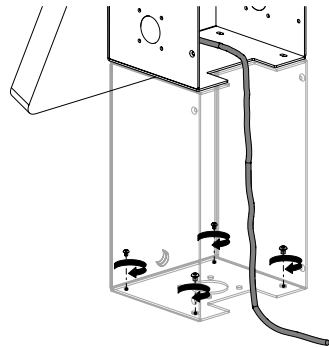
A3 Run cables

Two options for cable management



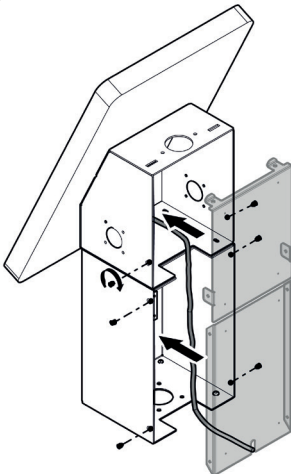
For large screens:
Remove cutout from the bottom of the top module for alternative cable management

A4 Install to counter



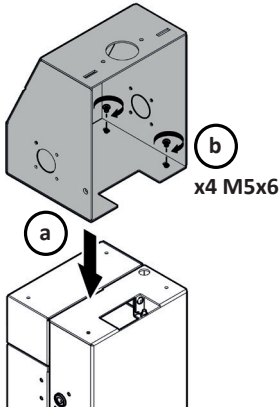
Fixings not included: It is the responsibility of the installers to ensure the correct fixings are used for the

A5 Install backplates



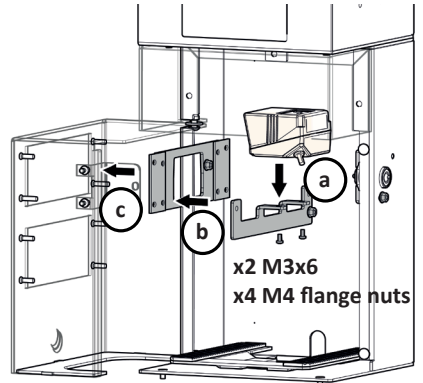
x6 M4x8 countersunk

B1 Assemble the parts



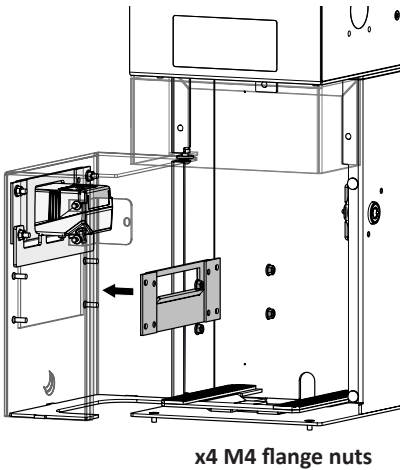
- a Place the top module on the center module
- b Secure it with the screws supplied

B2 Install scanner and cover

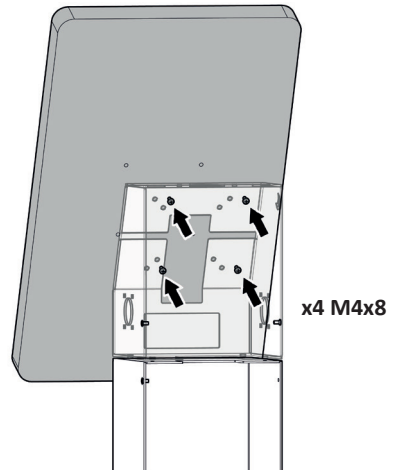


Note that the scanner must be mounted on to the bracket prior to installing the bracket and cover to the front of the Center module

B3 Printer Cover Installation

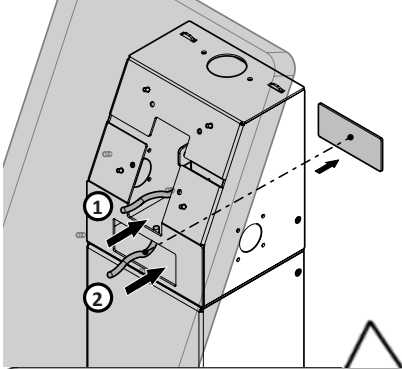


B4 Install screen using supplied fixing



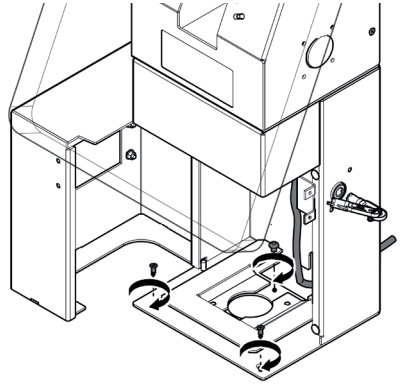
B5 Run cables

Two options for cable management



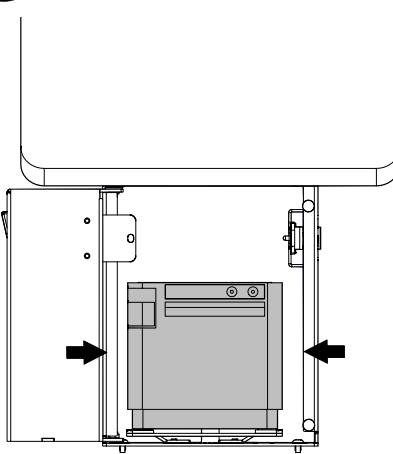
For large screens:
Remove cutout from the bottom of the top module for alternative cable management

B6 Install to counter



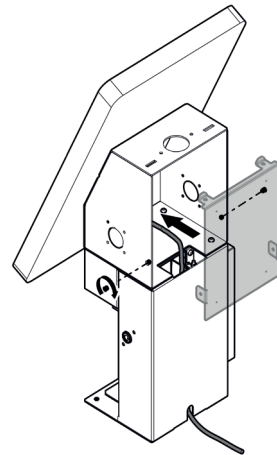
Fixings not included: It is the responsibility of the installers to ensure the correct fixings are used for the

B7 Printer installation



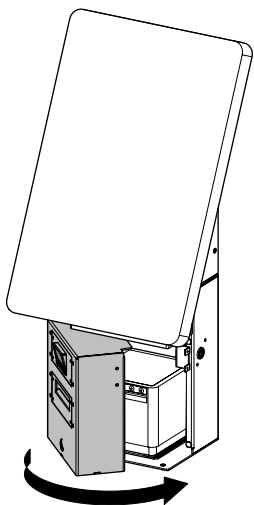
Center the printer on the plate

B8 Run cables and install backplate

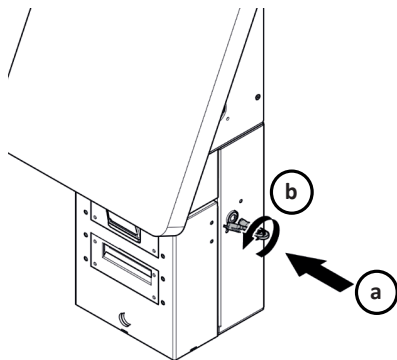


x2 M4x8 countersunk

B9 Close and lock the door



B10 Close and lock the door



- a** Push in the lock with the key
- b** Lock the door with the key