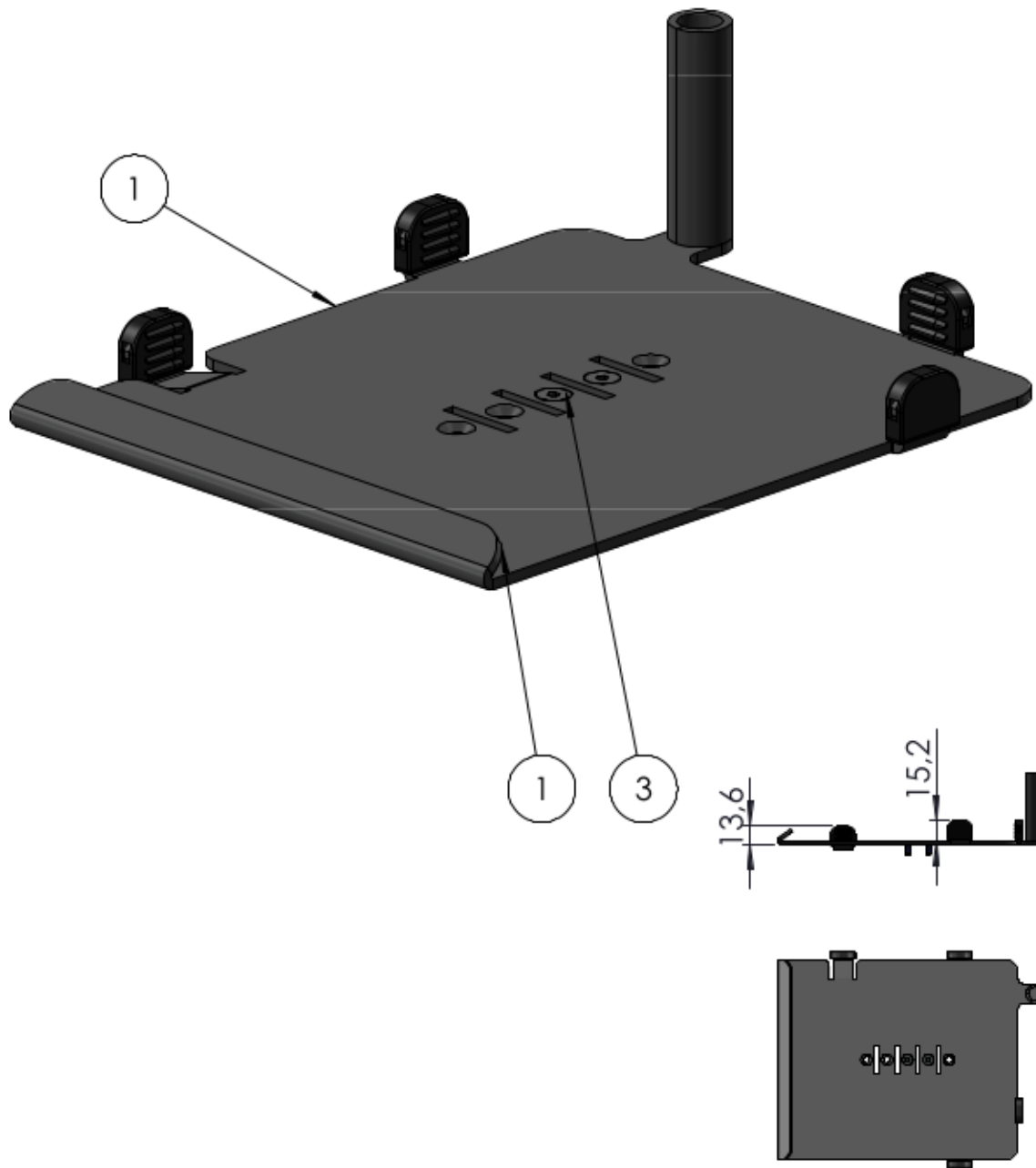



Rev	Change	Date	Int.
A	Proto approved & P/N issued	20-07-16	lej



POS	PARTNUMBER	QTY.	DESCRIPTION
1	C4900250U	1	MultiGrip Plate for Signotec Gamma
2	p22601-02	4	Rubberfriction pad, short
3	MK10-0003	1	MultiGrip™ fixing

Description MultiGrip Plate for Signotec Gamma		Category Payment terminals	Weight 0.60 kg	Revision A
 ergonomic solutions	COPYRIGHT © ERGONOMIC SOLUTIONS 2015 www.ergonomic-solutions.net	Size: A4	Name	Date
		Drawn	lej	13-11-2013
Unless otherwise specified tolerances according to ISO 2768-m All dimensions are in millimeters		Last Update	lej	20-07-2016
		Drawing No		C4900250