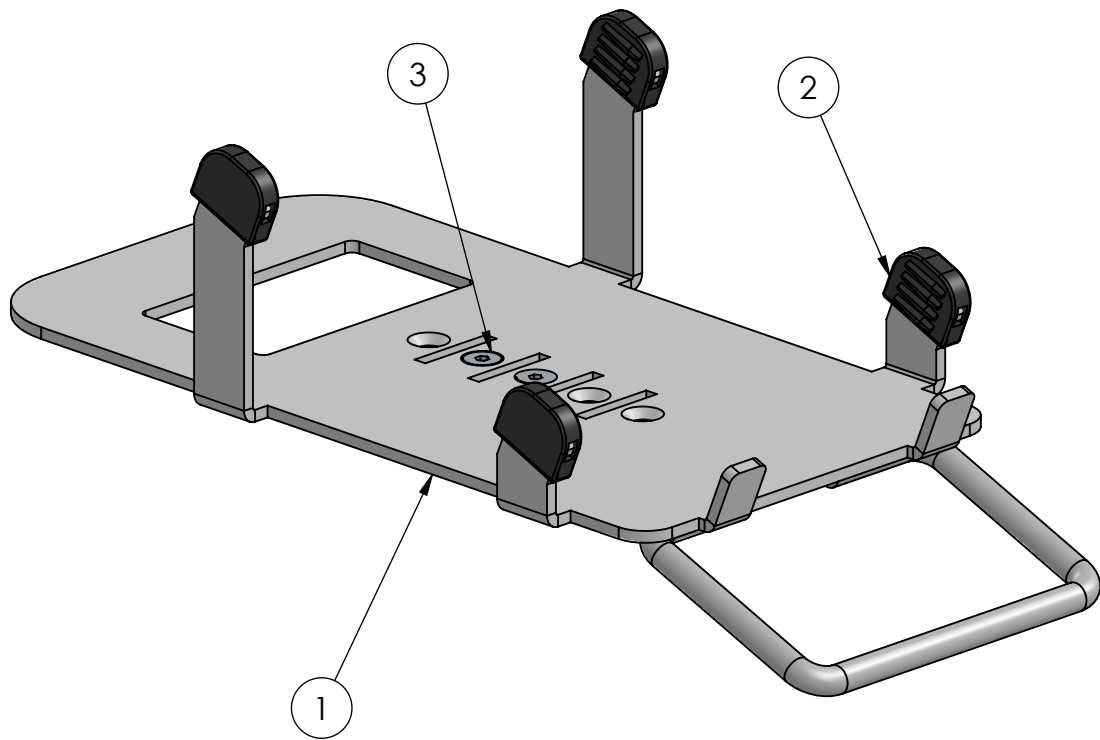


Rev.	Change	Date	Init.
A	Prototype approved and P/N issued	30-08-2023	EG

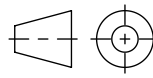


POS	PARTNUMBER	QTY.	DESCRIPTION
1		1	MultiGrip plate for CHERRY health ST1506 terminal
2		4	Rubberfriction pad, short
3		1	MultiGrip™ fixing

Description MultiGrip plate for CHERRY health ST1506 terminal	Weight 0.43 kg	Revision A
---	--------------------------	----------------------

	COPYRIGHT © ERGONOMIC SOLUTIONS 2023 www.ergonomic.solutions	Size: A4	Name	Date
		Drawn	egn	09-08-2023
		Last Update	emil.gyldendal	30-08-2023

Unless otherwise specified tolerances according to ISO 2768-m
All dimensions are in millimeters



1st Angle Projection

Drawing No
SPQC-CHER1506-MH