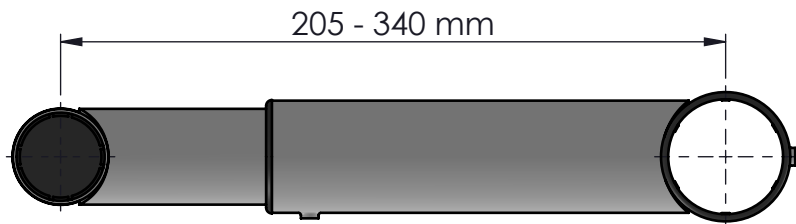
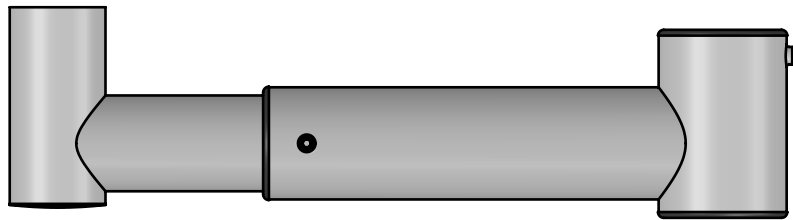
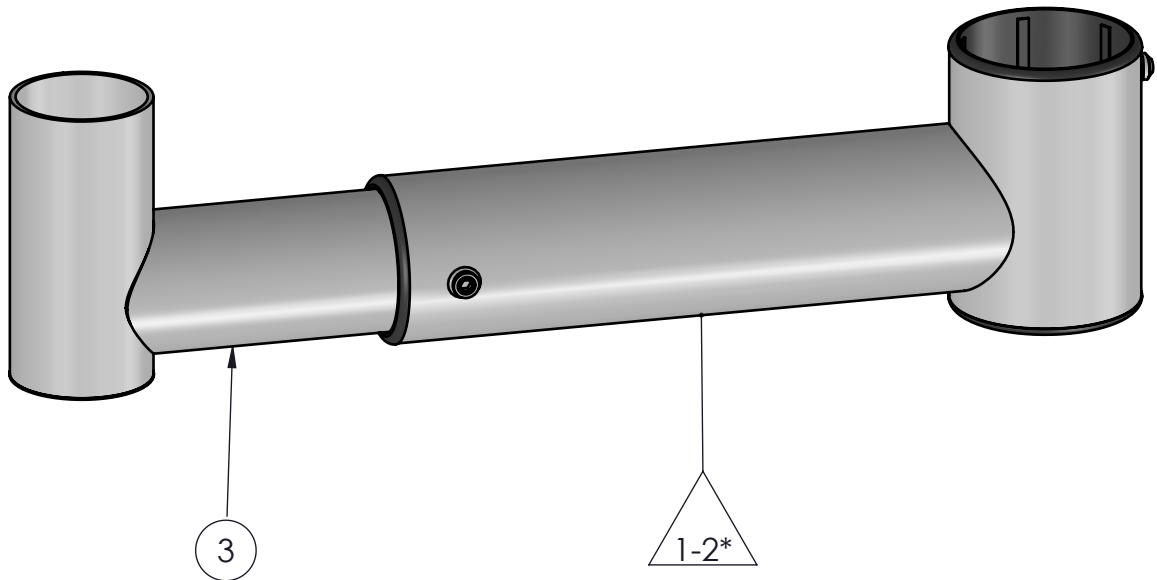



Rev	Change	Date	Int.
-----	--------	------	------



POS	PARTNUMBER	SP2-2901-0340_S1	SP2-2901-0340_S5	DESCRIPTION
1	SP2-2901A-0340_S1	1	-	340mm Adjustable Swingarm
2	SP2-2901A-0340_S5	-	1	340mm Adjustable Swingarm
3	SP1-2901B-0340	1	1	340mm Adjustable Swingarm w/78mm end pole

**\*SELECT  
VARIANT**

See triangular  
balloon &  
parts list

 <b>ergonomic solutions</b>	<b>Description</b> 340mm Adjustable Swingarm w/78mm end pole		<b>Category</b> Swingarms	<b>Weight</b> 0.87 kg	<b>Revision</b> A
	<b>COPYRIGHT © ERGONOMIC SOLUTIONS 2016</b> <a href="http://www.ergonomic-solutions.net">www.ergonomic-solutions.net</a>		<b>Size: A4</b>	<b>Name</b>	<b>Date</b>
			<b>Drawn</b>	pl	19-11-2014
	Unless otherwise specified tolerances according to ISO 2768-m All dimensions are in millimeters		<b>Last Update</b>	pl	16-08-2016