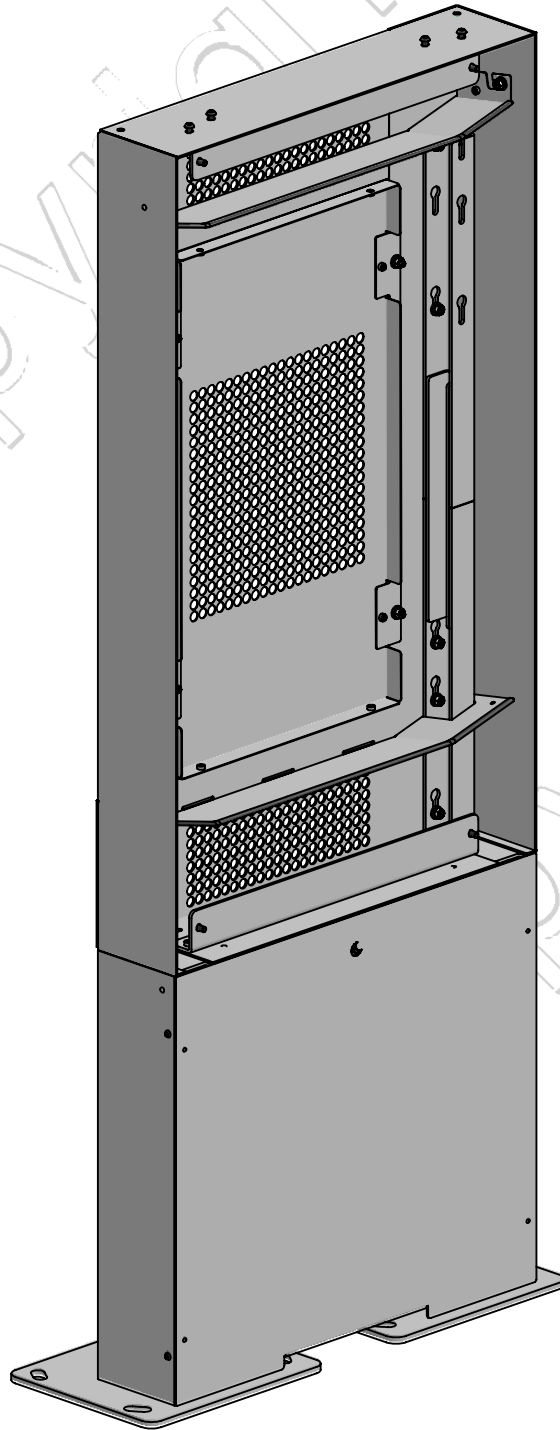


Assembly instructions on page 2

**DESIGNED FOR
OUTDOOR USE**



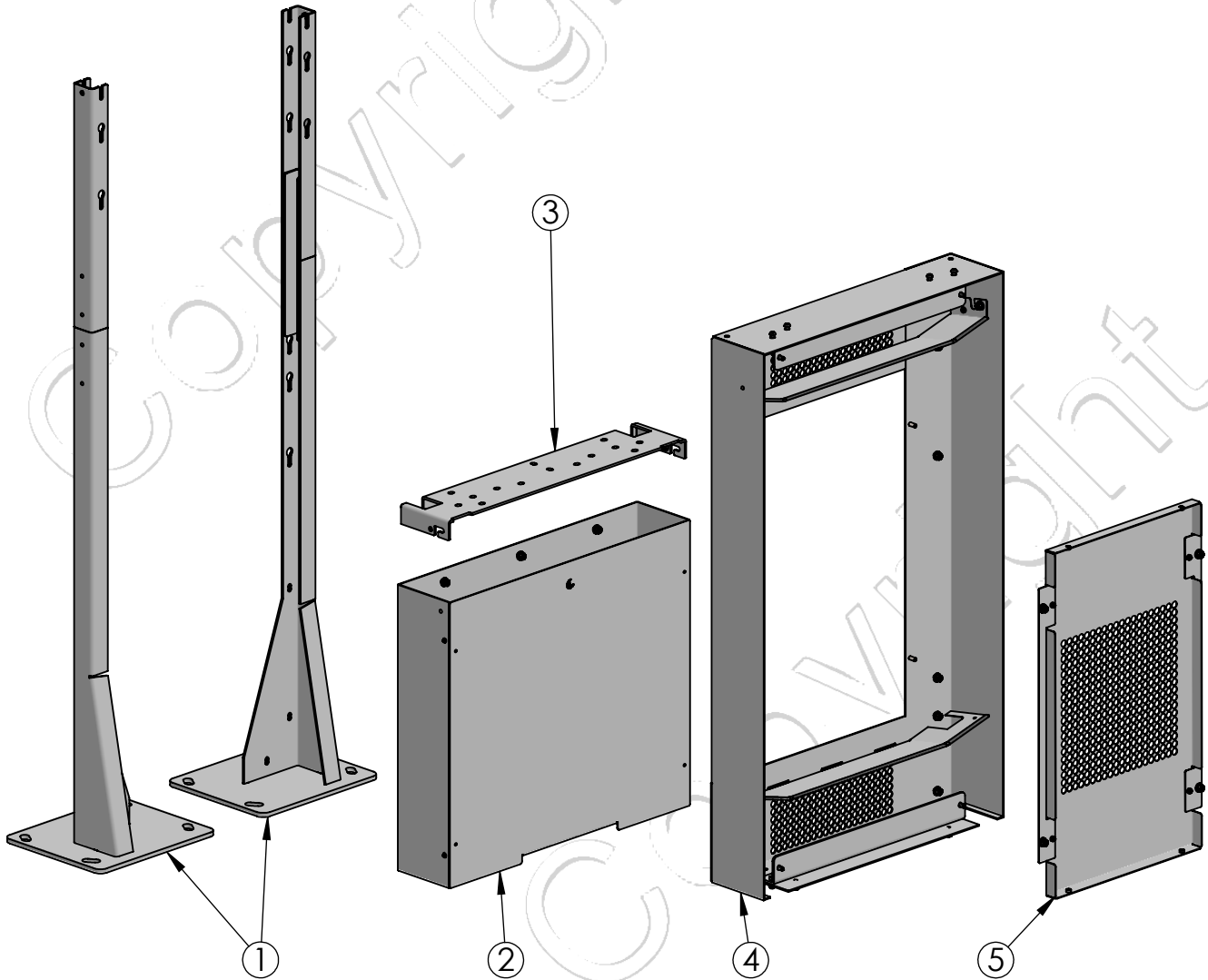
ADDITIONAL INFO:

QTY. of configs in master box:

Item Net Weight: 114.22 kg | 251.88 lbs

Pallet Capacity:

Colour: 105 (OUTDOOR - Paint powder 7011-S iron grey with primer)



POS	PARTS LIST	QTY.	DESCRIPTION	BOX
1	ODCB00777	1	Vertical Profile for outdoor enclosure - Right and Left side	
2	ODCB00778	1	Cover and door for Vertical Profile outdoor enclosure	
3	ODCB00776	1	Reinforcement top plate for base	
4	ODC4900538	1	Screen enclosure for OH55F/OH55A/OH55A-S screens	
5	ODCB00775	1	Air grilles kit for single enclosure	
	P22-00349	1	Installation template for outdoor enclosure	
	MK15-0372	1	Installation Guide SPDS3001 Outdoor enclosure - Single	

ADDITIONAL INFO:

QTY. of configs in master box: **Item Net Weight:** 114.22 kg | 251.88 lbs **Pallet Capacity:**

Colour: 105 (OUTDOOR - Paint powder 7011-S iron grey with primer)