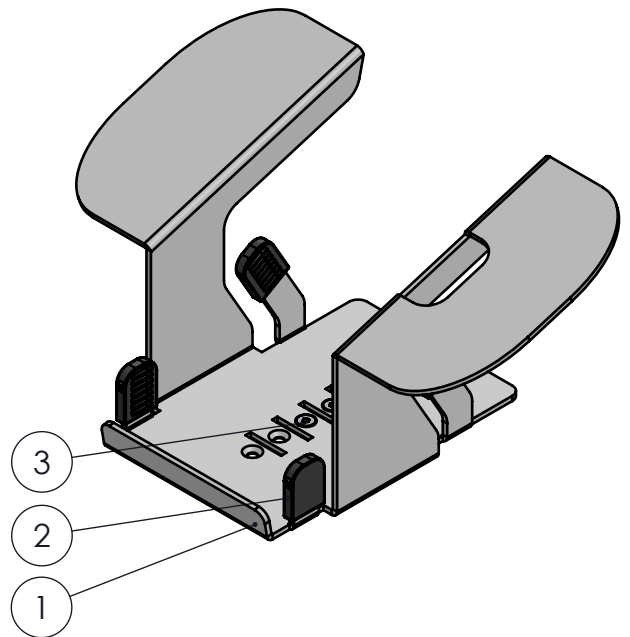
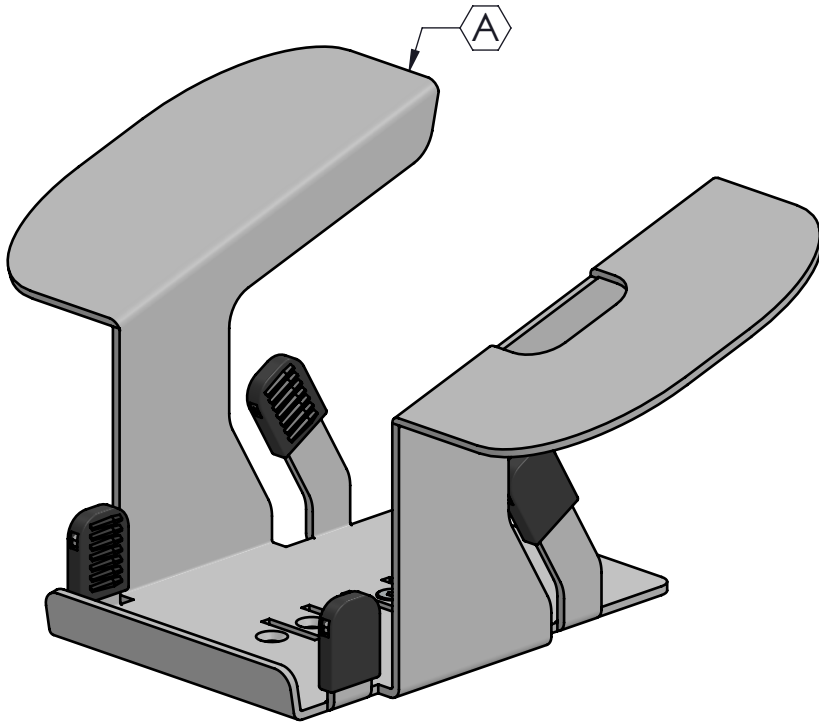
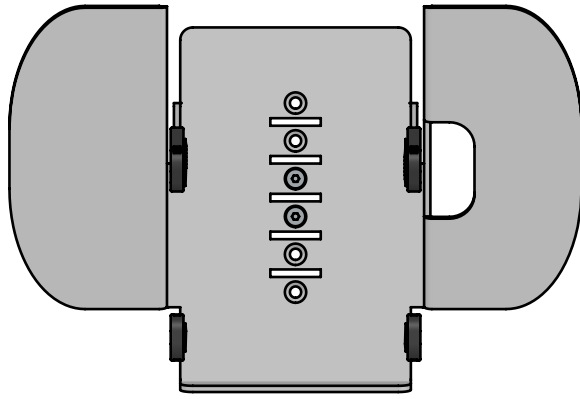
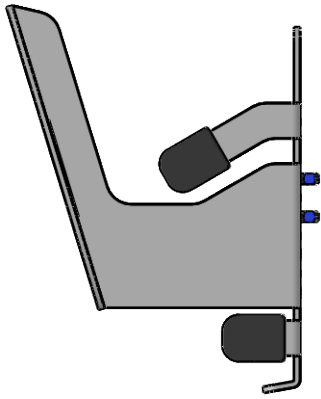


Rev.	Change	Date	Init.
A	Proto approved & P/N issued	17-07-2019	LEJ



POS	PARTNUMBER	QTY.	DESCRIPTION
1	C500436U	1	MultiGrip plate for Paytec D1
2	P22602-02	4	Rubberfriction pad, long
3	MK10-0003	1	MultiGrip™ fixing

Description

MultiGrip plate for Paytec D1
PT-A103-01-00 D1 (PT202119)

Category

Weight

Revision

0.83 kg

A



COPYRIGHT © ERGONOMIC SOLUTIONS 2019
www.ergonomic.solutions

Size: A4

Name

Date

Drawn

lej

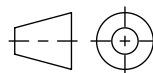
17-06-2019

Last Update

lars.enghave

17-07-2019

Unless otherwise specified tolerances according to ISO 2768-m
All dimensions are in millimeters



1st Angle Projection

Drawing No

C500436