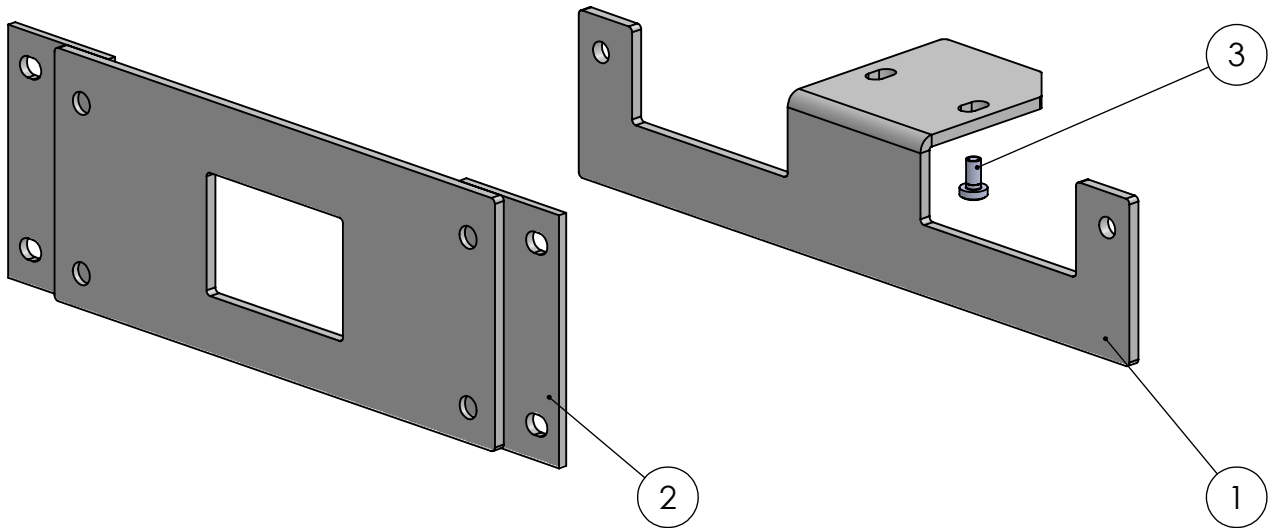
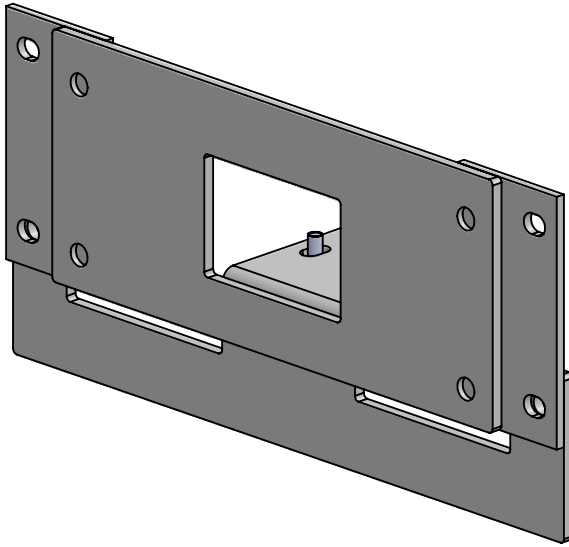
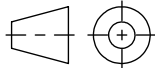


Rev.	Change	Date	Init.
A	Prototype approved and P/N issued	16-02-2023	EG



POS	PARTNUMBER	QTY.	DESCRIPTION
1	C4900572B	1	Kiosk scanner bracket for SuperLead 4200N
2	C4900572A	1	Kiosk integrated scanner cover for SuperLead 4200N
3	M9910-0306	2	Pozi pan head machine screw, M3x6mm

Description Kiosk integrated scanner cover + bracket for SuperLead 4200N - W:184		Weight 0.25 kg	Revision A
COPYRIGHT © ERGONOMIC SOLUTIONS 2023 www.ergonomic.solutions	Size: A4	Name	Date
	Drawn	egn	20-12-2022
	Last Update	emil.gyldendal	16-02-2023
Unless otherwise specified tolerances according to ISO 2768-m All dimensions are in millimeters		 1st Angle Projection	
			C4900572