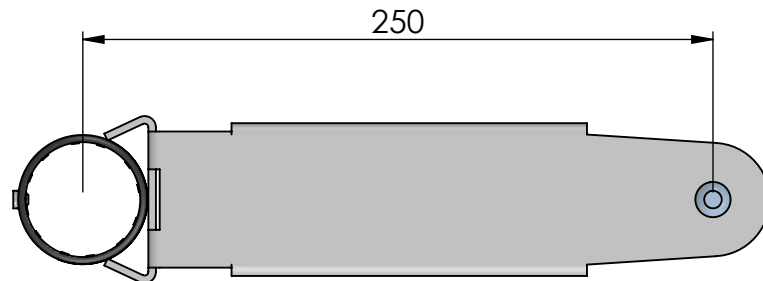
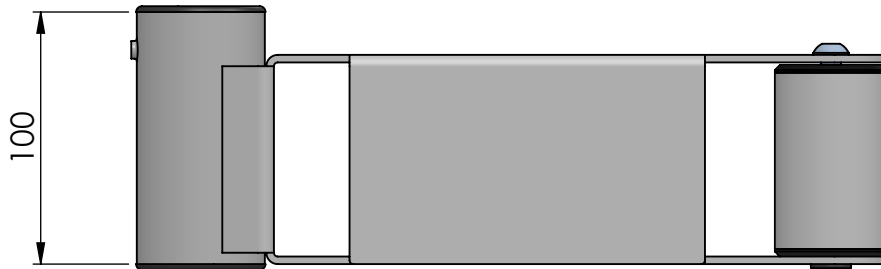
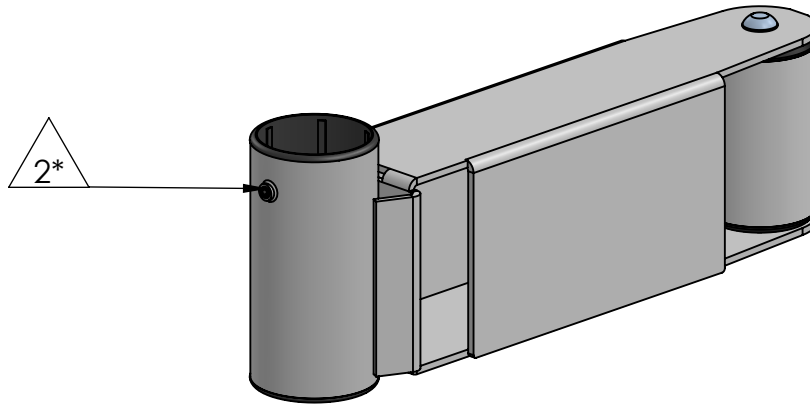



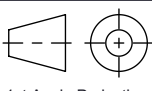
Rev.	Change	Date	Init.
A	Prototype approved and P/N issued	13-01-2022	pkr



POS	PARTNUMBER	QTY.	DESCRIPTION
1		1	Custom connection joint, Center distance 250mm
2		1	Grub screw M6x6mm with hex hole, black
3		1	Plastic endsleeve SP2, black with Ø14.5mm hole
4		1	M8 HEX POP-Nut, black
5		1	Plastic Endsleeve SP2, black with Ø8.2mm hole
6		1	Hex socket button head cap screw, M8x80mm, black
7		2	Anti-wobble plastic sleeve SP2
8		1	Pole SP2, 70mm

***SELECT VARIANT**

See triangular balloon & parts list

Description Custom connection joint, Center distance 250mm		Category	Weight 1.70 kg	Revision A	
	COPYRIGHT © ERGONOMIC SOLUTIONS 2021 www.ergonomic.solutions		Size: A4	Name	
			Drawn	pkr	Date
			Last Update	per.krabbe	01-11-2021
Unless otherwise specified tolerances according to ISO 2768-m All dimensions are in millimeters		 1st Angle Projection	Drawing No SPQC-CA250		