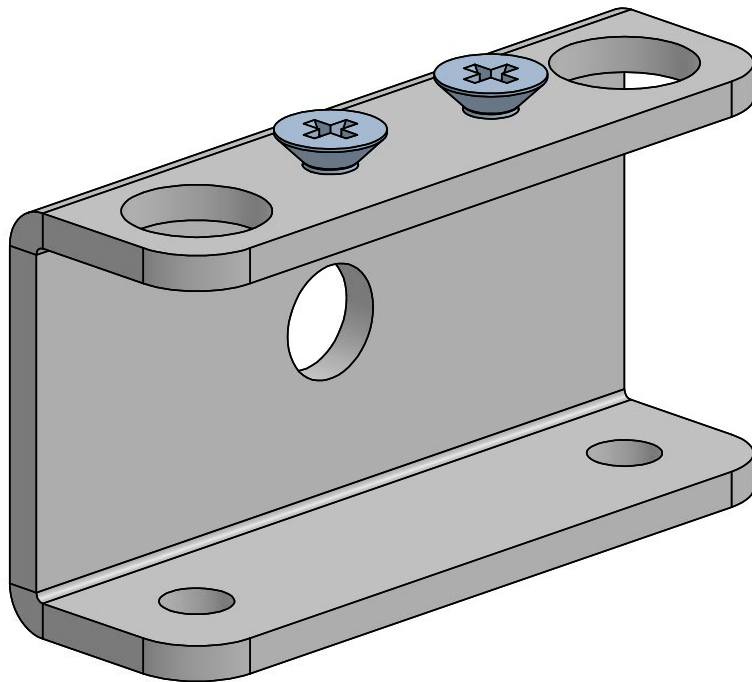

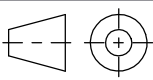


Rev.	Change	Date	Init.
A	Prototype approved and P/N issued	18/03/2022	CW



POS	PARTNUMBER	QTY.	DESCRIPTION
1	CB00732DU	1	Clamp for APG box
2	M9911-0405	2	Pozi flat countersunk head machine screw, M4x5mm

Description Clamp for APG box		Category	Weight 0.06 kg	Revision A	
	COPYRIGHT © ERGONOMIC SOLUTIONS 2022 www.ergonomic.solutions		Size: A4	Name	
			Drawn	cw	Date
			Last Update	claire.wahl	18/03/2022
Unless otherwise specified tolerances according to ISO 2768-m All dimensions are in millimeters		 1st Angle Projection	Drawing No CB00732D		